

JVC

SERVICE MANUAL

COMPACT COMPONENT SYSTEM

DX-MX90BK CA-MX90BK

(UNIT No. AX-MX90BK)



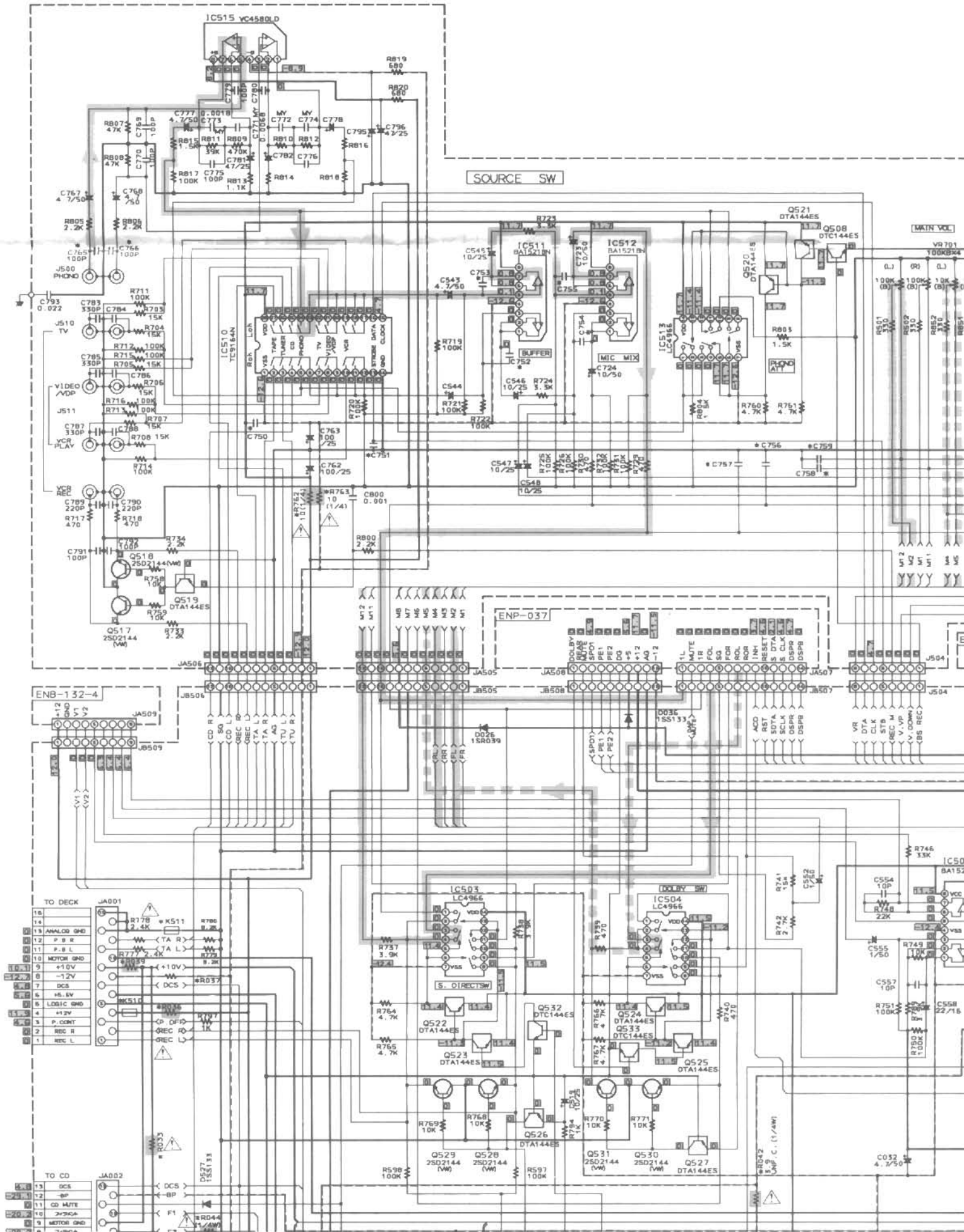
* For instruction manual, please refer to the CA-MX90BK(SM.NO.20267) or DX-MX90BK(SM.NO.20268).

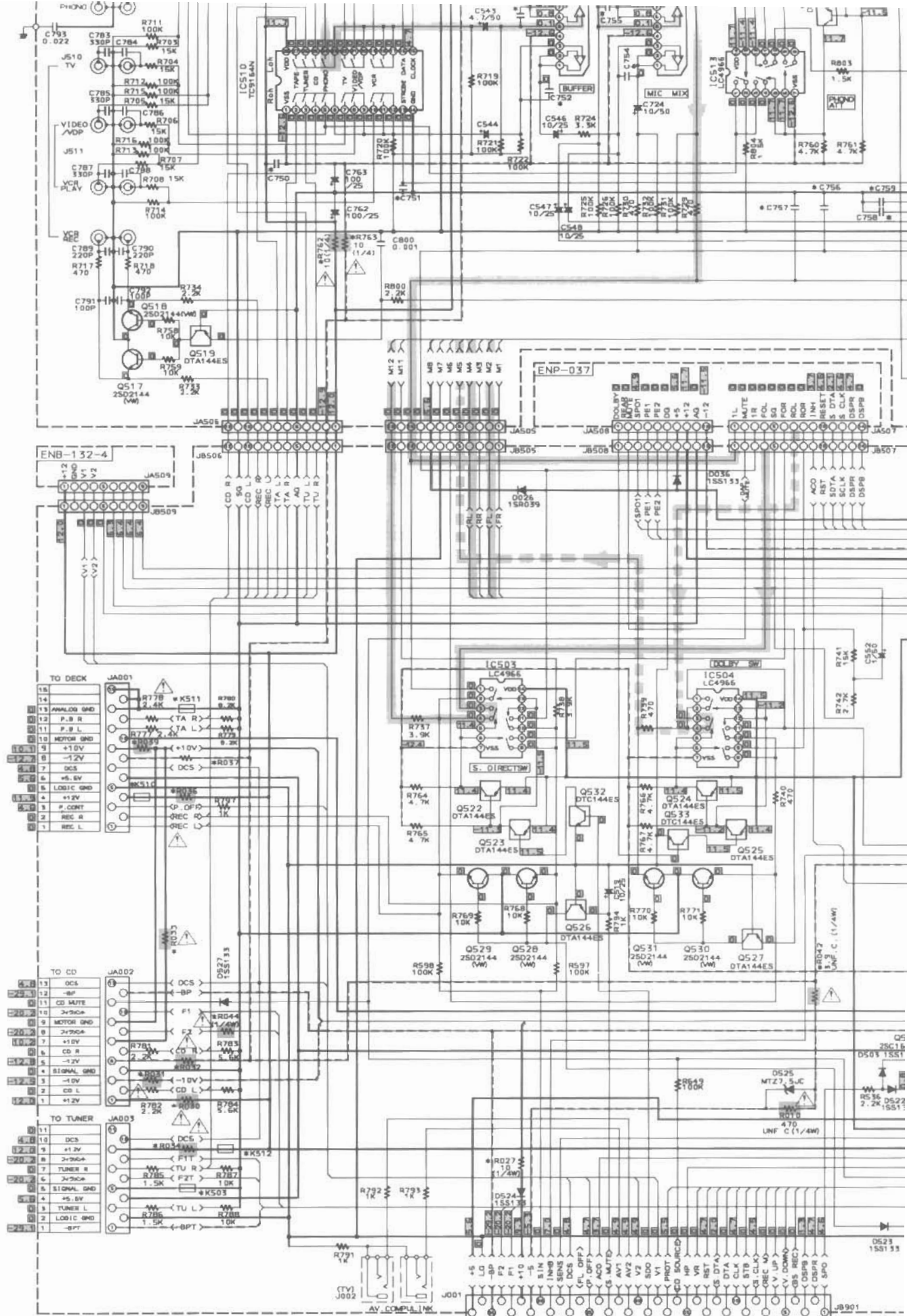
Contents

Safety Precautions	1-2	Internal Wiring of the FL Display	1-17
Technical Explanations	1-3	Block Diagram	1-19
Disassembly Procedures	1-5		
Mini Suggestion for Inspection		Connection Diagram	Insertion
with Active Power	1-6	Printed Circuit Boards	Insertion
Description of Major LSIs	1-7	Schematic Diagrams/Block Diagrams	Insertion
Internal Block Diagrams of the Other ICs	1-11	Parts List	Separate-volume Insertion

Schematic Diagrams

1. Source Select & Speaker Terminal Section

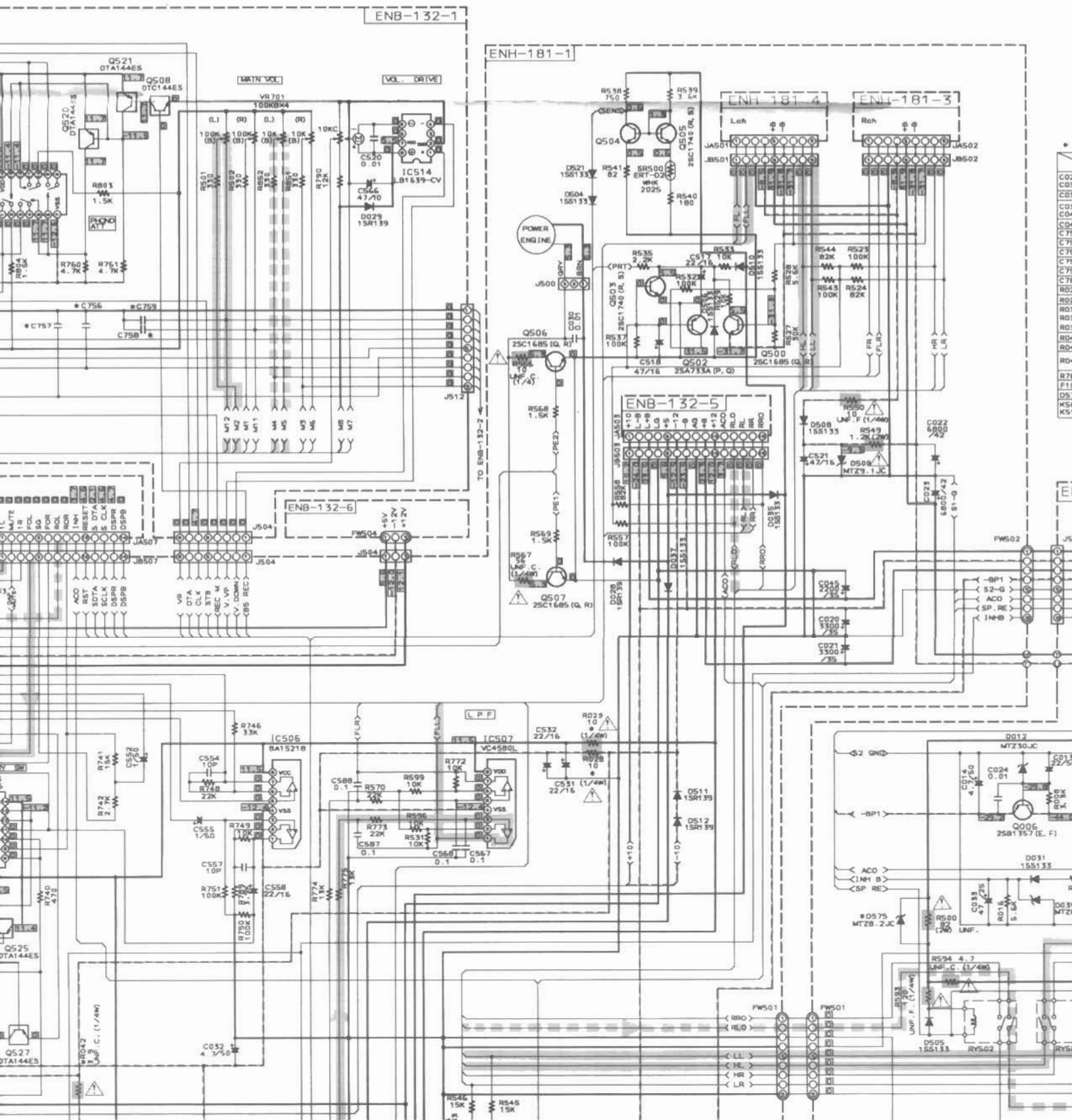


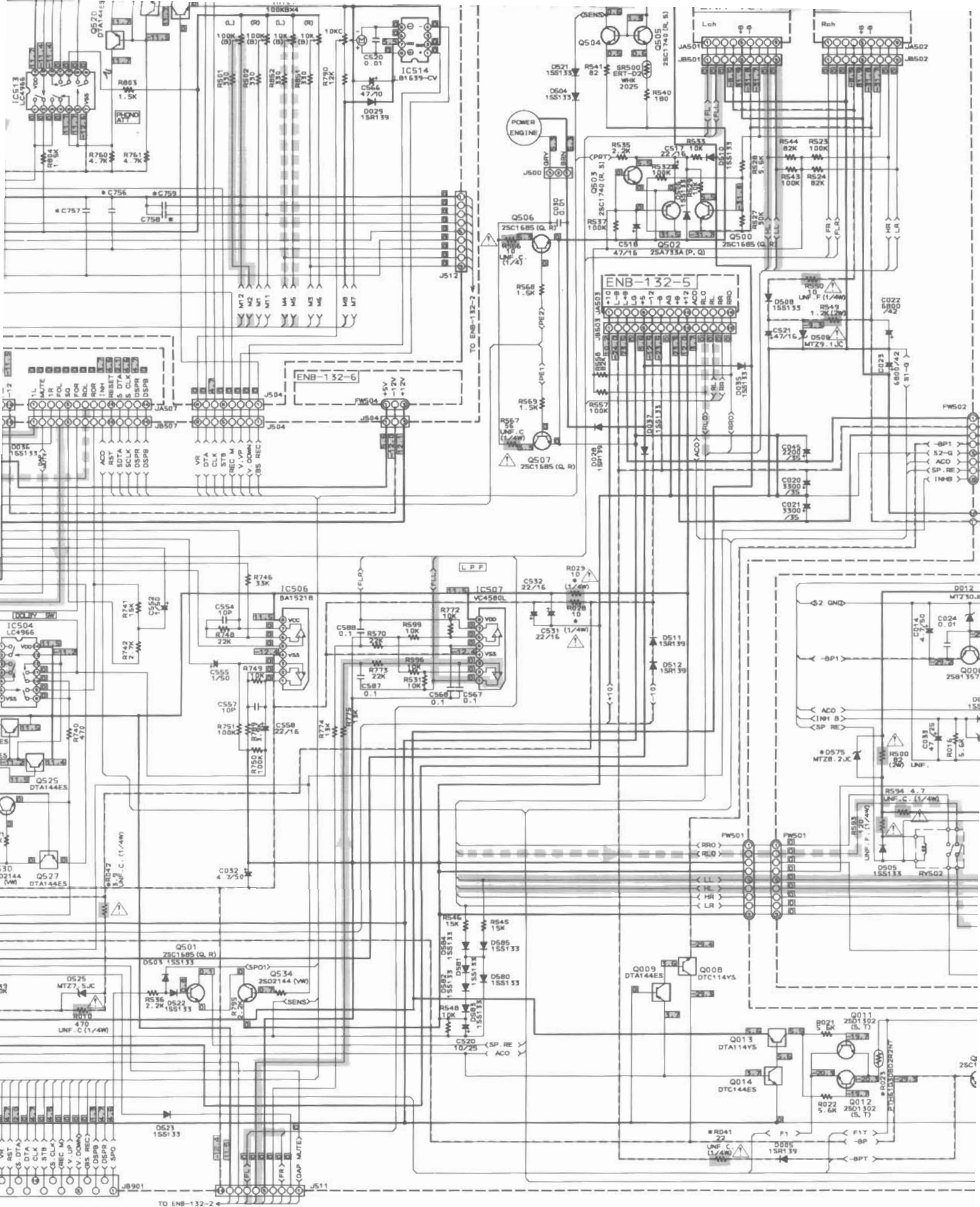


- TO DECK**
- 18 ANALOG GND
 - 17 P.B R
 - 16 P.B L
 - 15 MOTOR GND
 - 14 +1.0V
 - 13 -1.2V
 - 12 DCS
 - 11 +5.6V
 - 10 LOGIC GND
 - 9 +1.2V
 - 8 P.CENT
 - 7 REC R
 - 6 REC L

- TO CD**
- 13 OCS
 - 12 -BP
 - 11 CD MUTE
 - 10 2+3CA
 - 9 MOTOR GND
 - 8 2+3CA
 - 7 +1.0V
 - 6 CD R
 - 5 -1.2V
 - 4 SIGNAL GND
 - 3 -1.0V
 - 2 CD L
 - 1 +1.2V

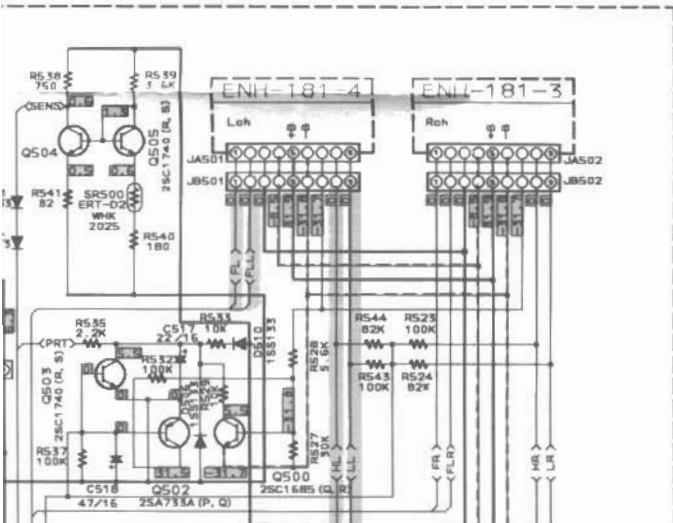
- TO TUNER**
- 11 DCS
 - 10 +1.2V
 - 9 2+3CA
 - 8 TUNER R
 - 7 2+3CA
 - 6 SIGNAL GND
 - 5 TUNER L
 - 4 +5.6V
 - 3 LOGIC GND
 - 2 -BPT





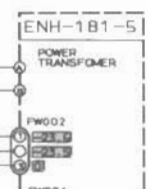
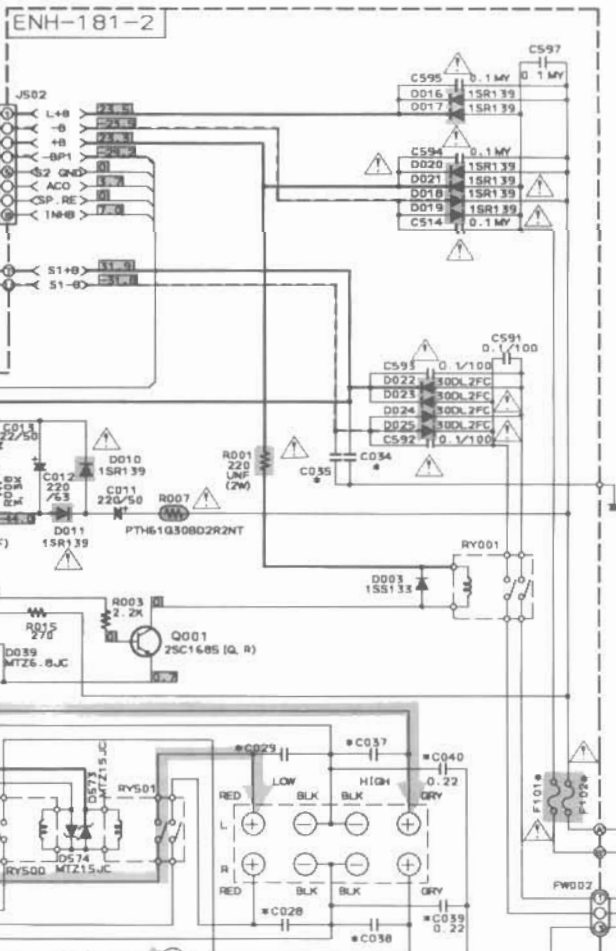
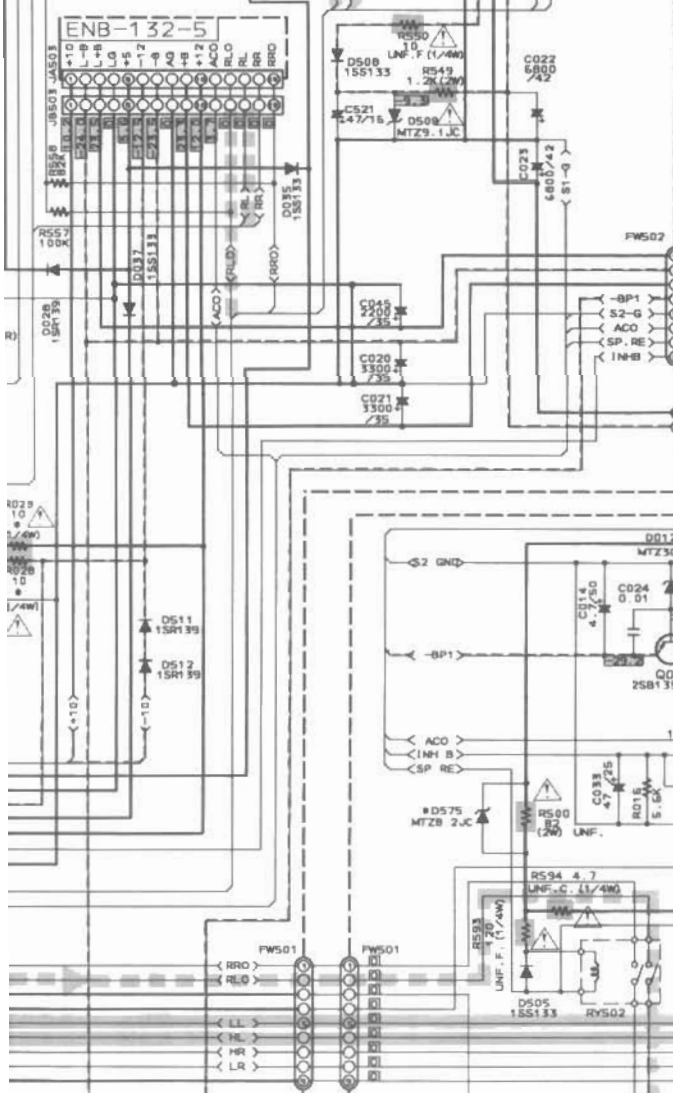
TO ENB-132-2

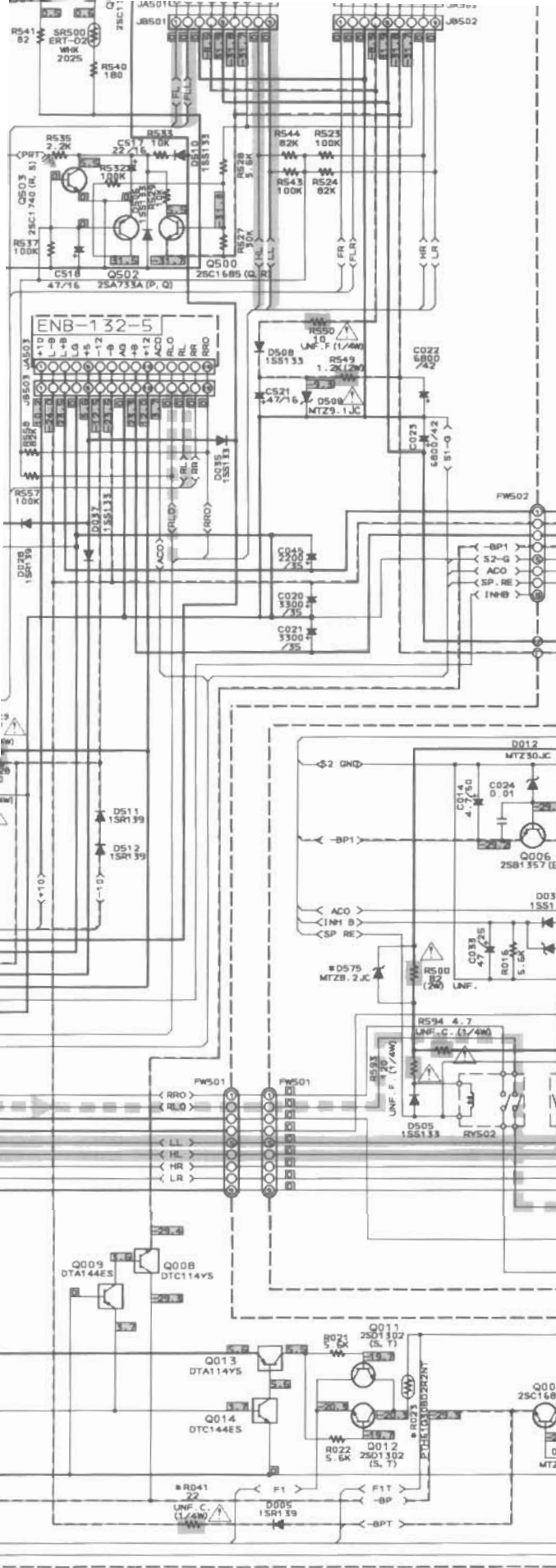
25C



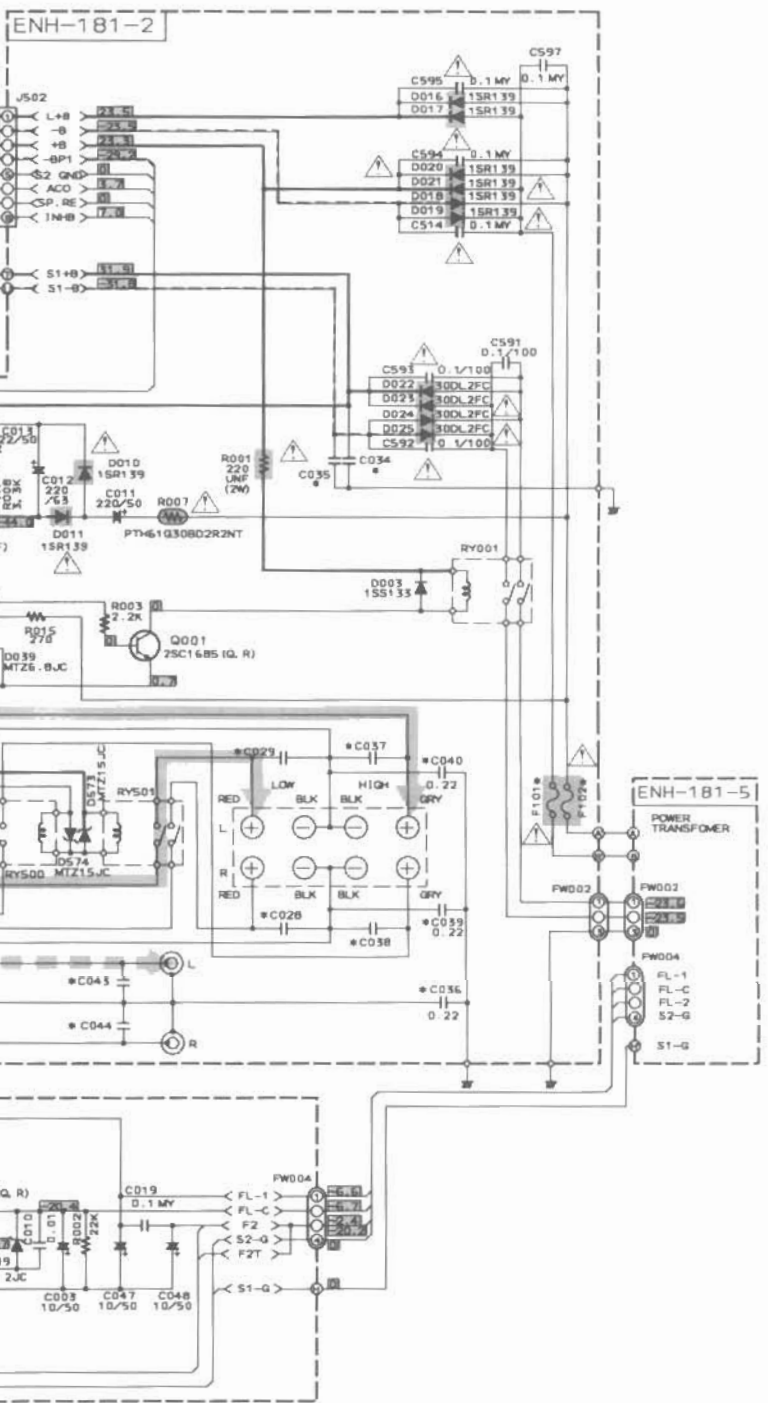
* MARK

	J	C	U	A	E, EF BS	G, G1
C028, 029	NONE	NONE	NONE	NONE	0 001	0 001
C037, 038	NONE	NONE	NONE	NONE	NONE	NONE
C034, 035	NONE	NONE	NONE	NONE	NONE	NONE
C036, 039	NONE	NONE	NONE	NONE	0 022	0 022
C040	NONE	NONE	NONE	NONE	0 001	0 001
C043, 044	NONE	NONE	NONE	NONE	NONE	NONE
C750, 751	NONE	NONE	NONE	NONE	NONE	NONE
C752, 753	NONE	NONE	NONE	NONE	NONE	NONE
C754, 755	NONE	NONE	NONE	NONE	NONE	NONE
C756, 757	NONE	NONE	NONE	NONE	NONE	NONE
C758, 759	NONE	NONE	NONE	NONE	NONE	NONE
C765, 766	100P	100P	220P	220P	220P	220P
R023	SHORT	SHORT	SHORT	SHORT	SHORT	SHORT
R027-029	UNF. C.	UNF. F.	UNF. F.	UNF. F.	UNF. F.	UNF. F.
R030-034	3.9	1.9	1.9	1.9	1.9	1.9
R036, 037	UNF. C.	UNF. C.	SHORT	SHORT	SHORT	SHORT
R039	UNF. C.	UNF. C.	(1/4W)	(1/4W)	(1/4W)	(1/4W)
R041	USED	USED	SHORT	SHORT	SHORT	SHORT
R042	USED	SHORT	SHORT	SHORT	SHORT	SHORT
R044	5.6	5.6	6.8	5.6	5.6	5.6
F101, 102	2.5A/125V	2.5A/125V	T2A	T2A	T2A	T2A
D575	NONE	USED	USED	USED	USED	USED
K503	SHORT	SHORT	SHORT	SHORT	SHORT	SHORT
K510-512	SHORT	SHORT	USED	USED	USED	USED

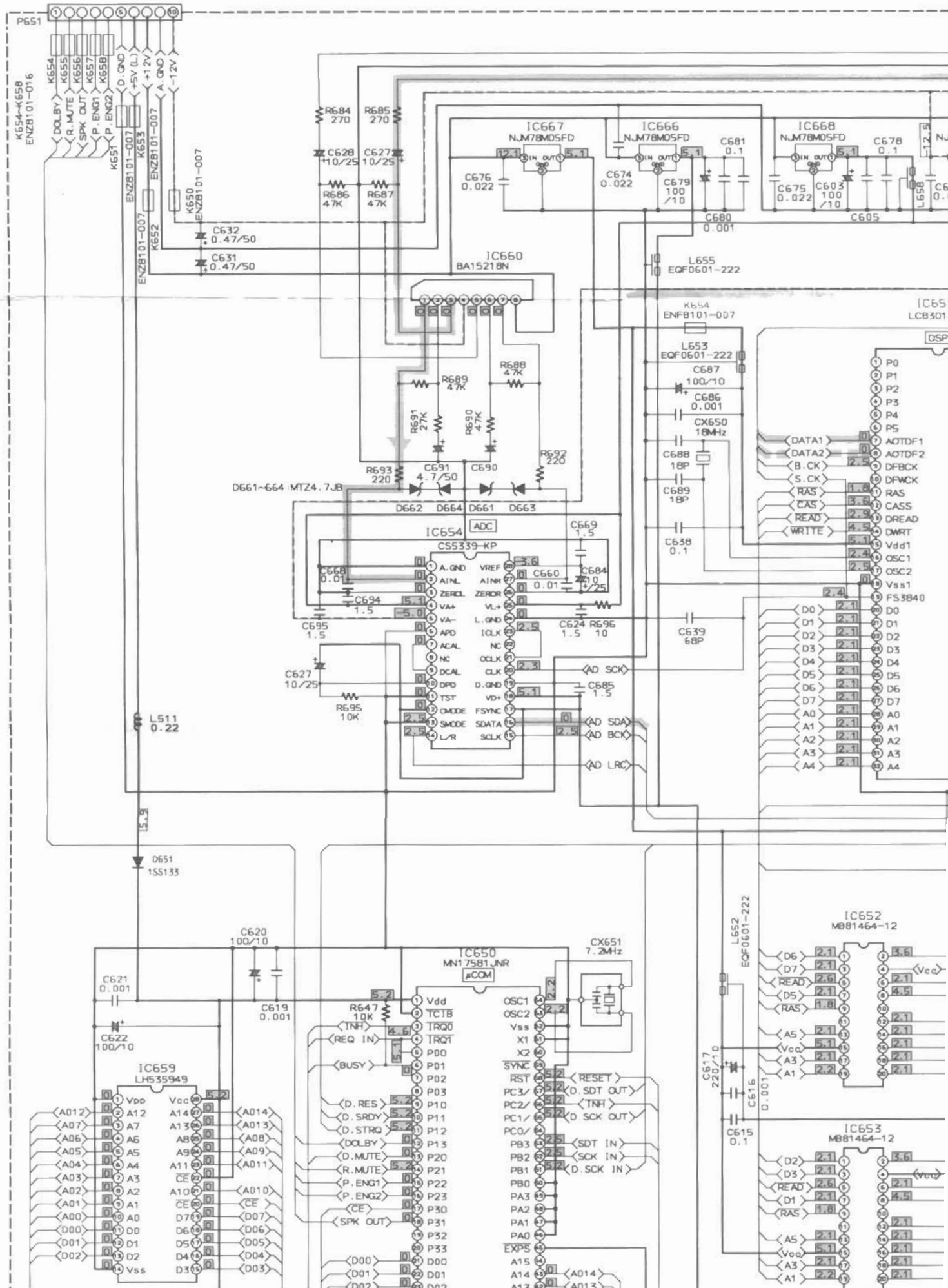


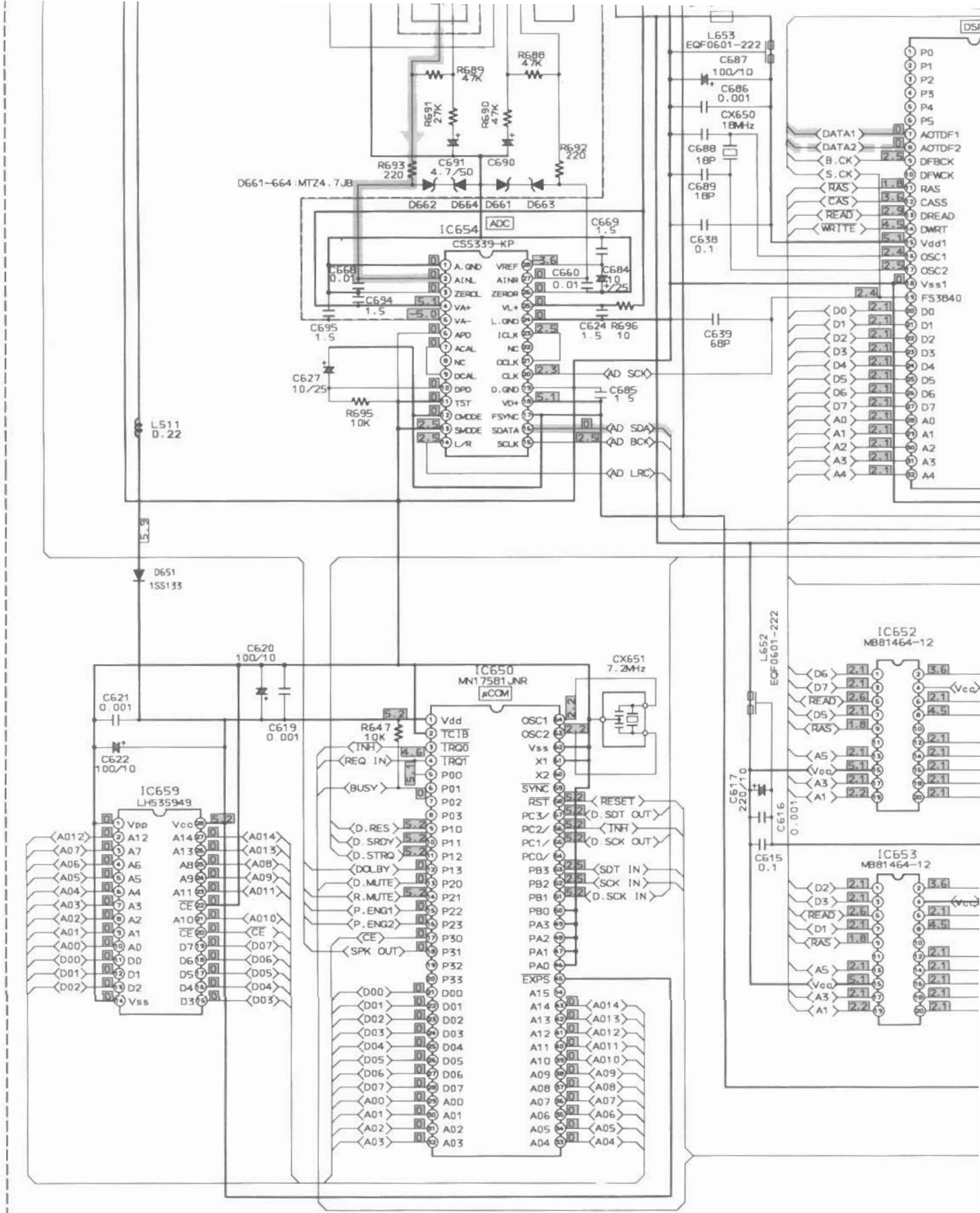


	J	C	U	A	E, EF BS	G, G1
C028, 029	NONE	NONE	NONE	NONE	0.001	0.001
C037, 038						
C034, 035	NONE	NONE	NONE	NONE	NONE	NONE
C036, 039	NONE	NONE	NONE	NONE	0.022	0.022
C043, 044	NONE	NONE	NONE	NONE	0.001	0.001
C750, 751	NONE	NONE	NONE	NONE	NONE	NONE
C752, 753	NONE	NONE	NONE	NONE	NONE	NONE
C754, 755	NONE	NONE	NONE	NONE	NONE	NONE
C756, 757	NONE	NONE	NONE	NONE	NONE	NONE
C758, 759	NONE	NONE	NONE	NONE	NONE	NONE
C765, 766	100P	100P	220P	220P	220P	220P
R023	SHORT	SHORT	SHORT	SHORT	SHORT	SHORT
R027-029	UNF. C.	UNF. F.	UNF. F.	UNF. F.	UNF. F.	UNF. F.
R030-034	1.5	3.9				
R036, 037	UNF. C.	UNF. C.	SHORT	SHORT	SHORT	SHORT
R039	1.5	(1/4W)				
RD41	USED	USED	SHORT	SHORT	SHORT	SHORT
RD42	USED	SHORT	SHORT	SHORT	SHORT	SHORT
R044	5.6 UNF. C.	5.6 UNF. C.	6.8 UNF. F.	5.6 UNF. F.	5.6 UNF. F.	5.6 UNF. F.
R762, 763	UNF. C.	UNF. C.	UNF. F.	UNF. F.	UNF. F.	UNF. F.
F101, 102	2.5A/125V	2.5A/125V	T2A	T2A	T2A	T2A
D575	NONE	USED	USED	USED	USED	USED
KS03						
KS10-S12	SHORT	SHORT	USED	USED	USED	USED

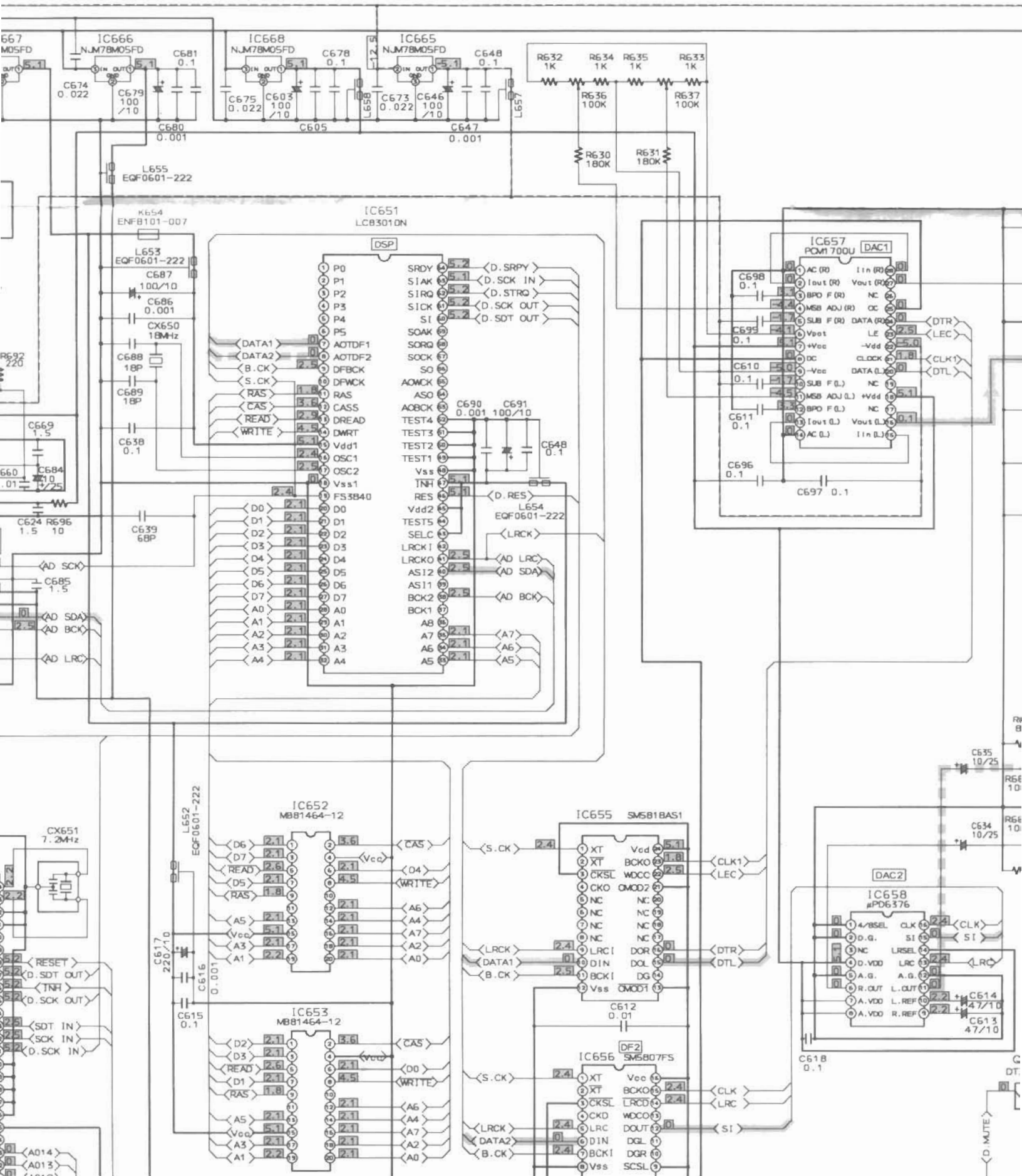


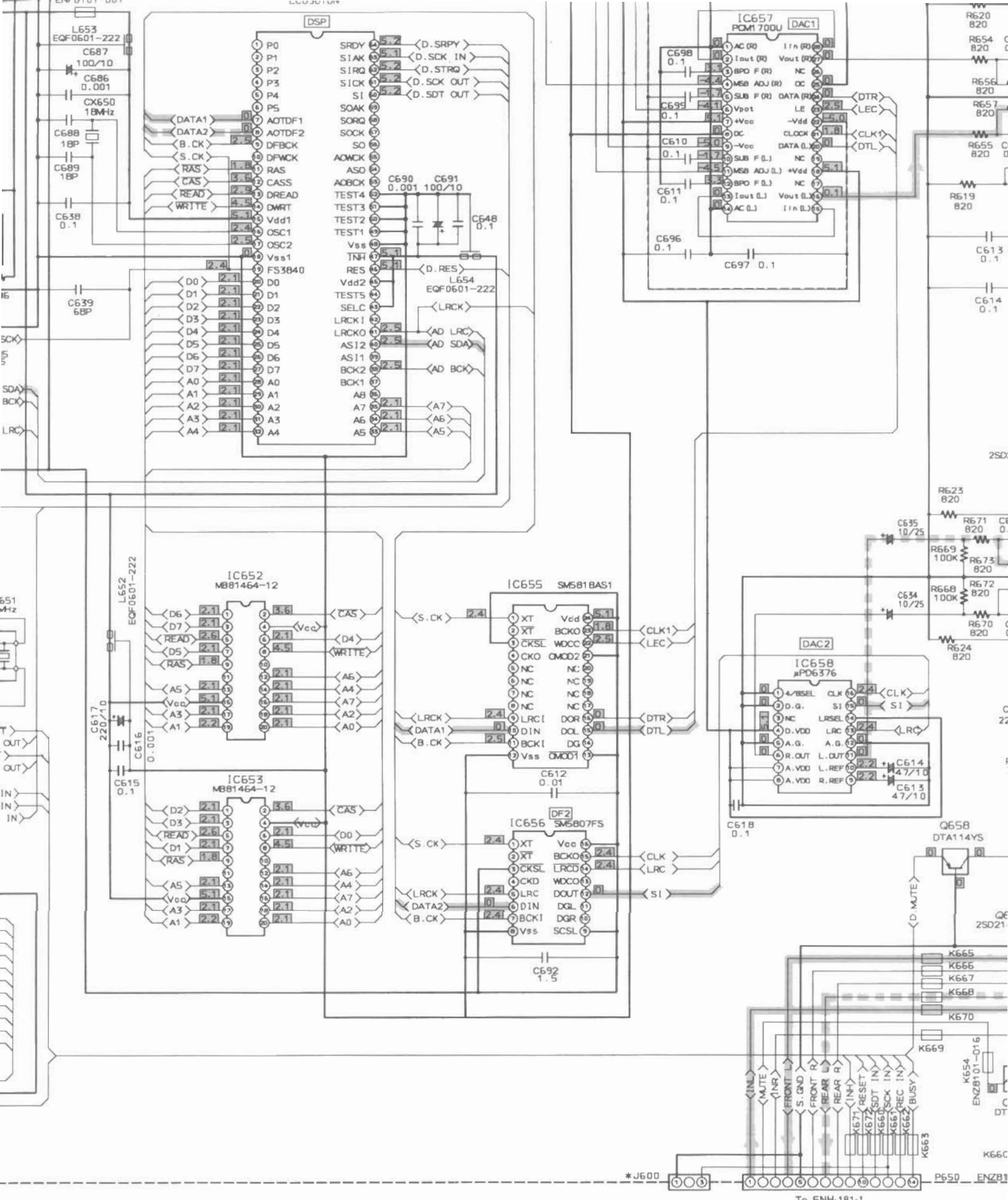
2. DAP Section





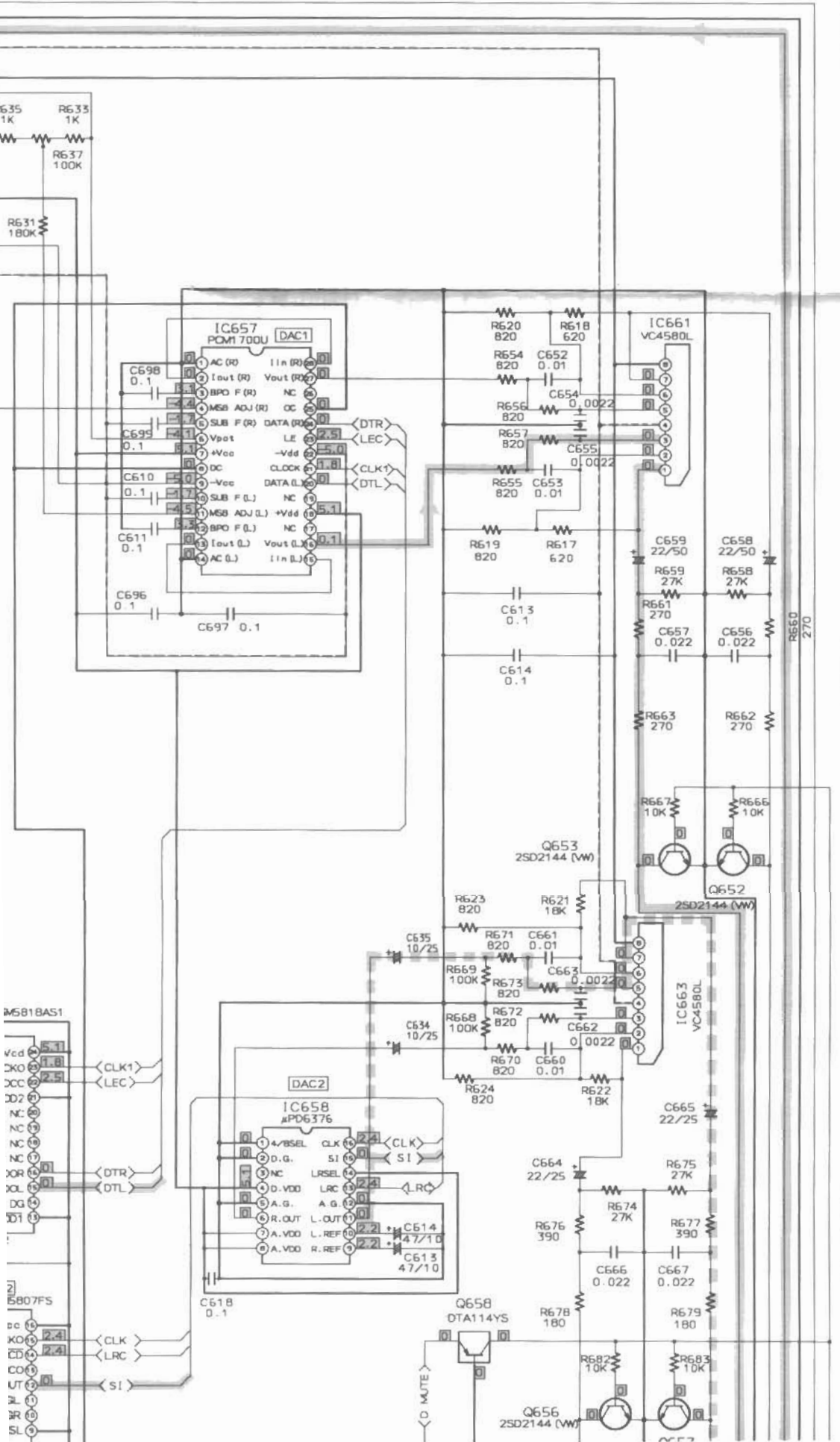
ENP-037

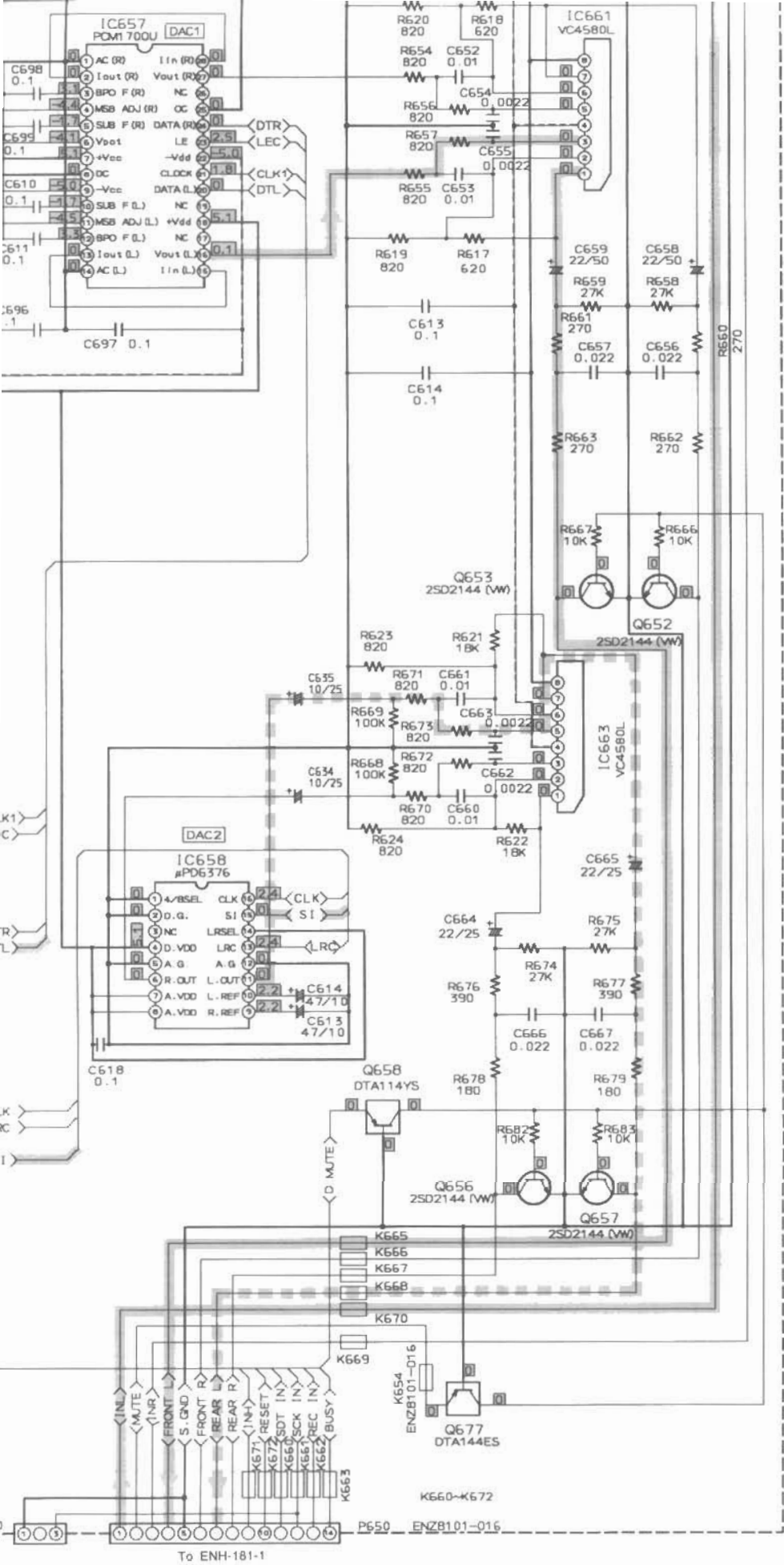




*J600 To ENH-181-1

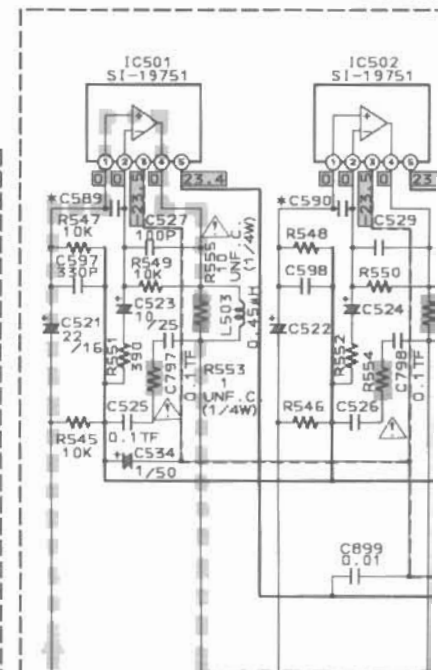
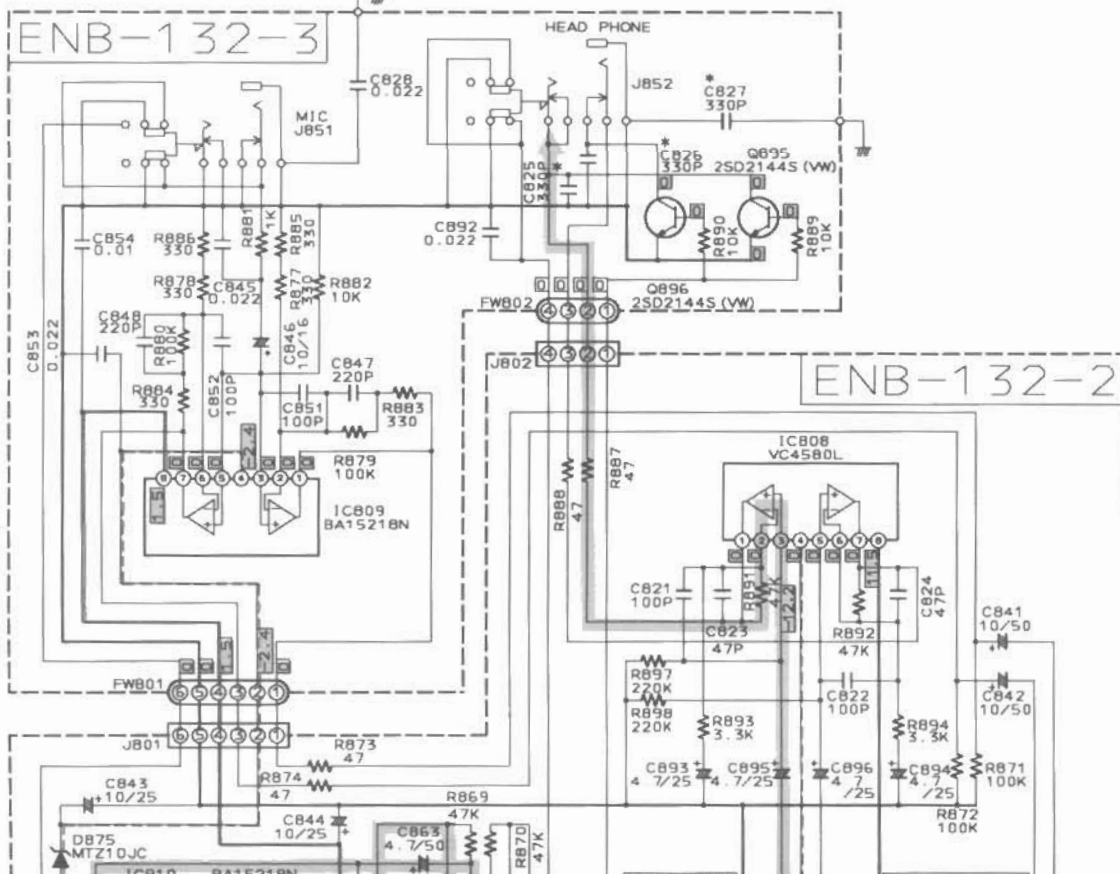
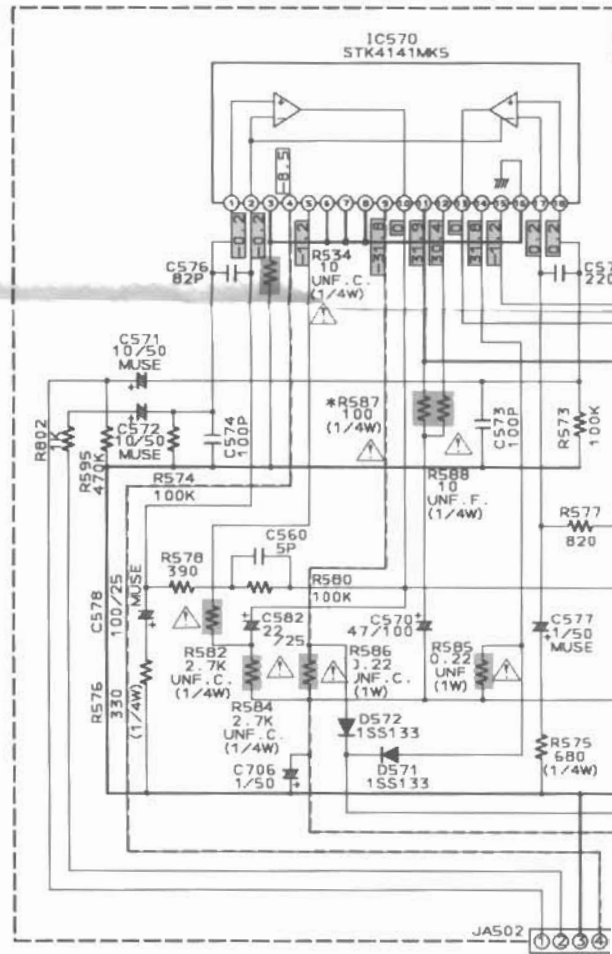
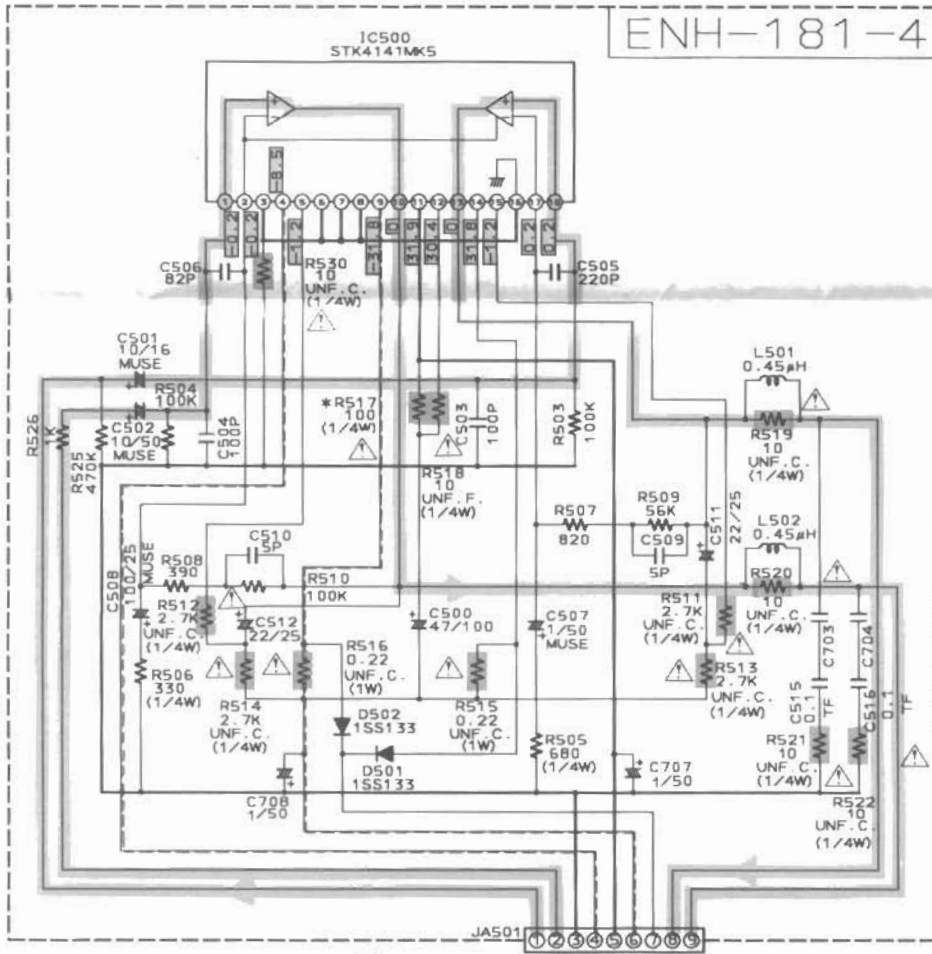
	J, C	E, EK A, BS	G, GI	U
*	NONE	USED	USED	USED

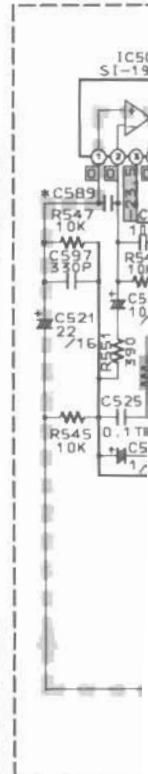
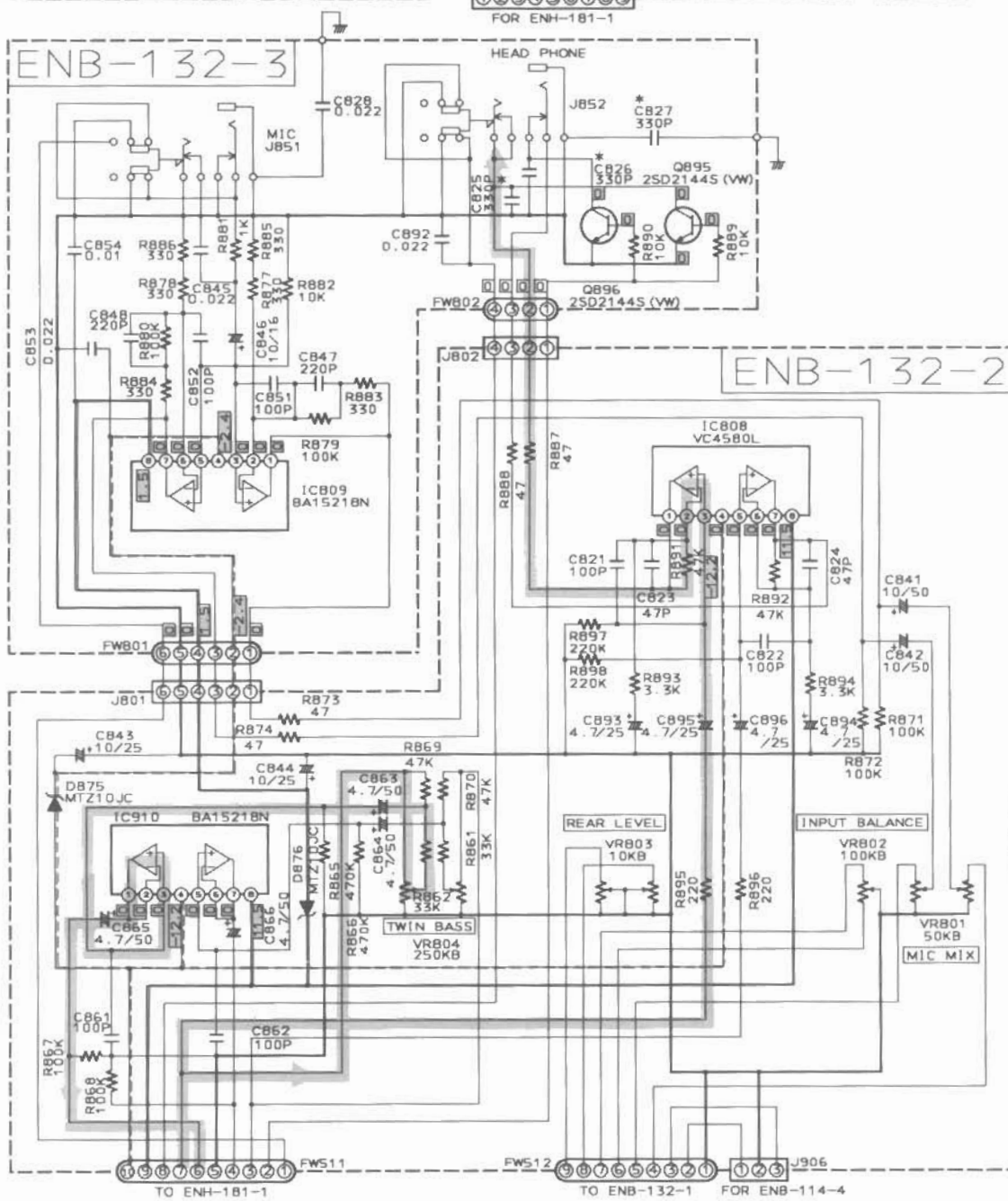
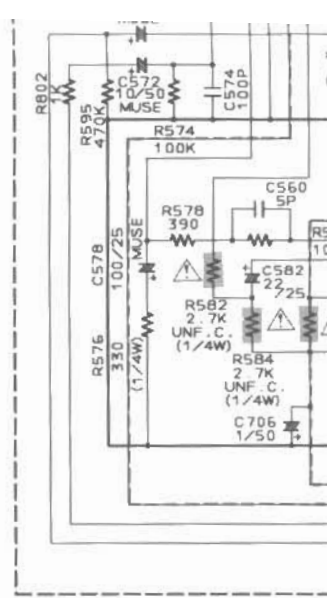
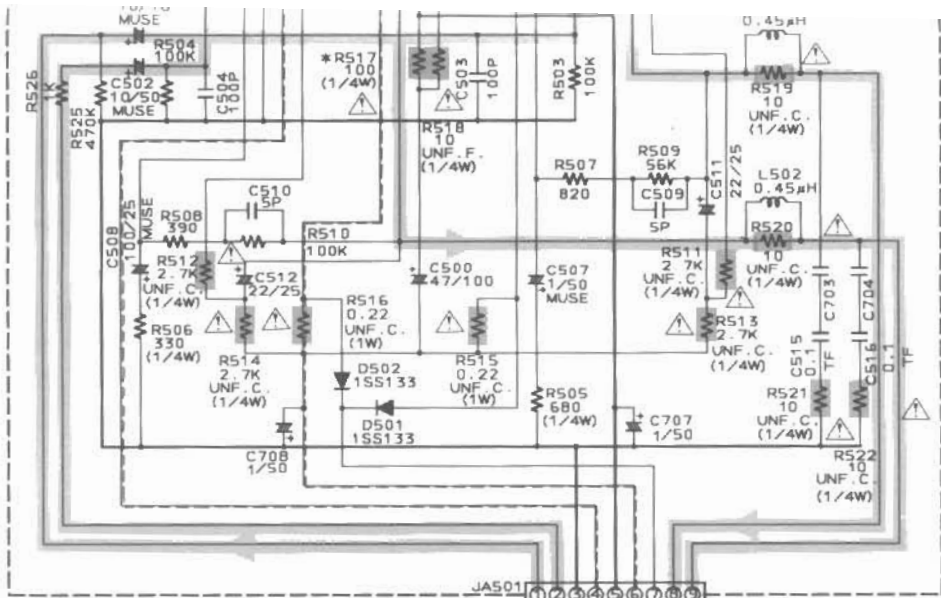




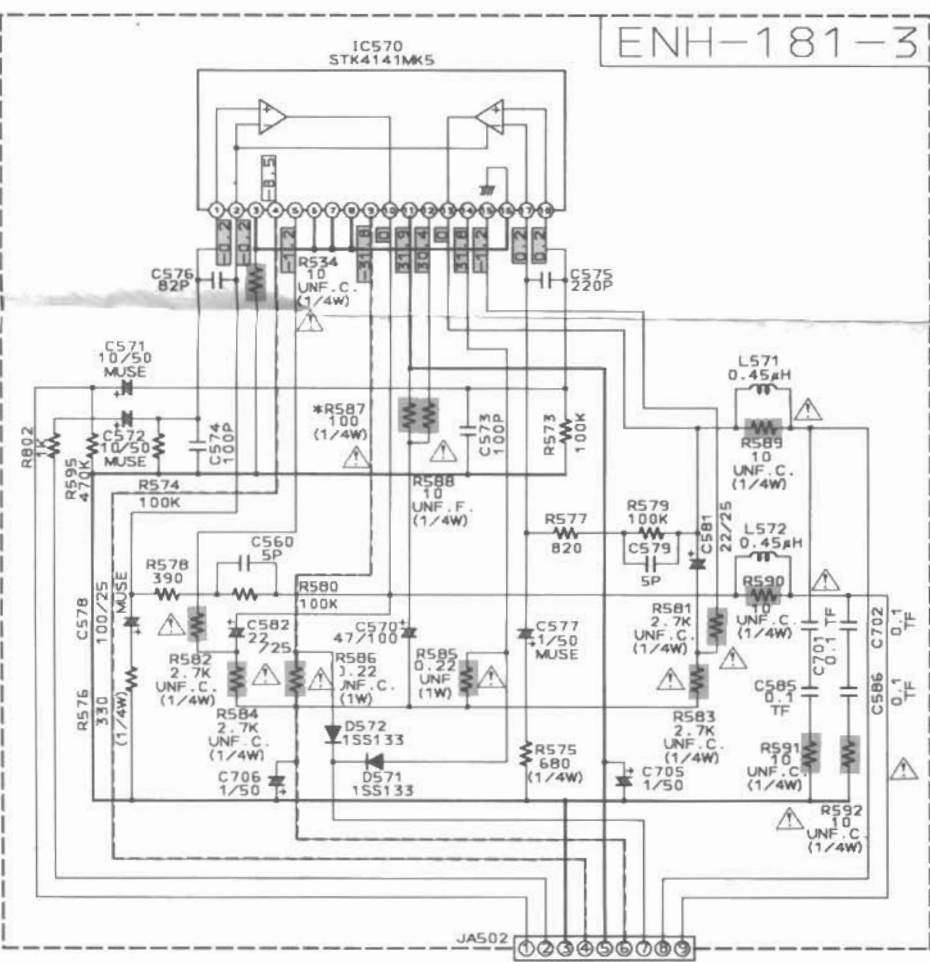
To ENH-181-1

3. TWIN BASS & Power Amplifier Section

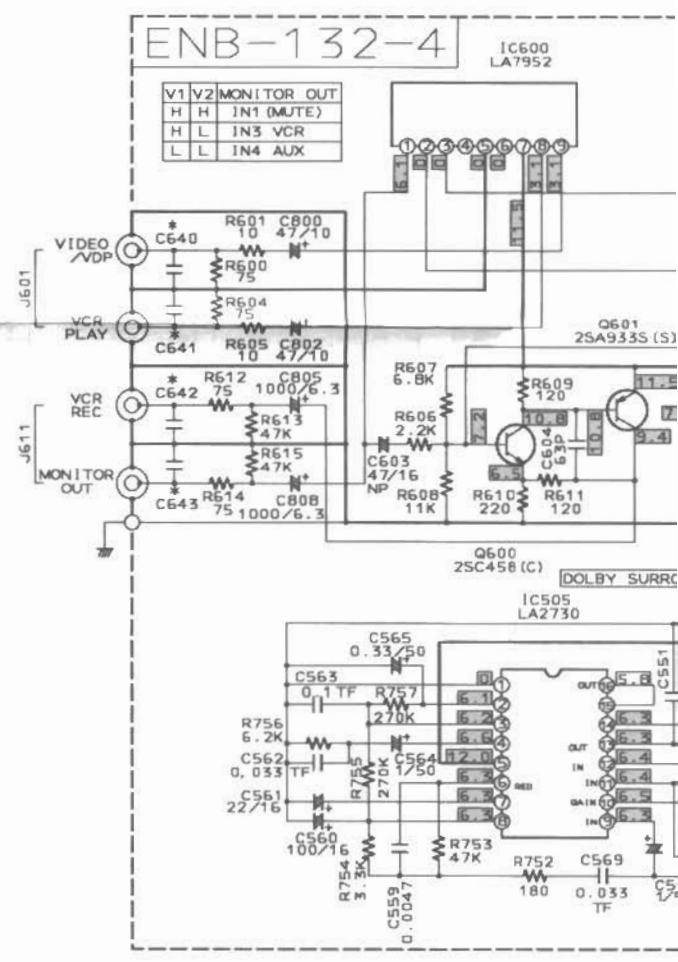




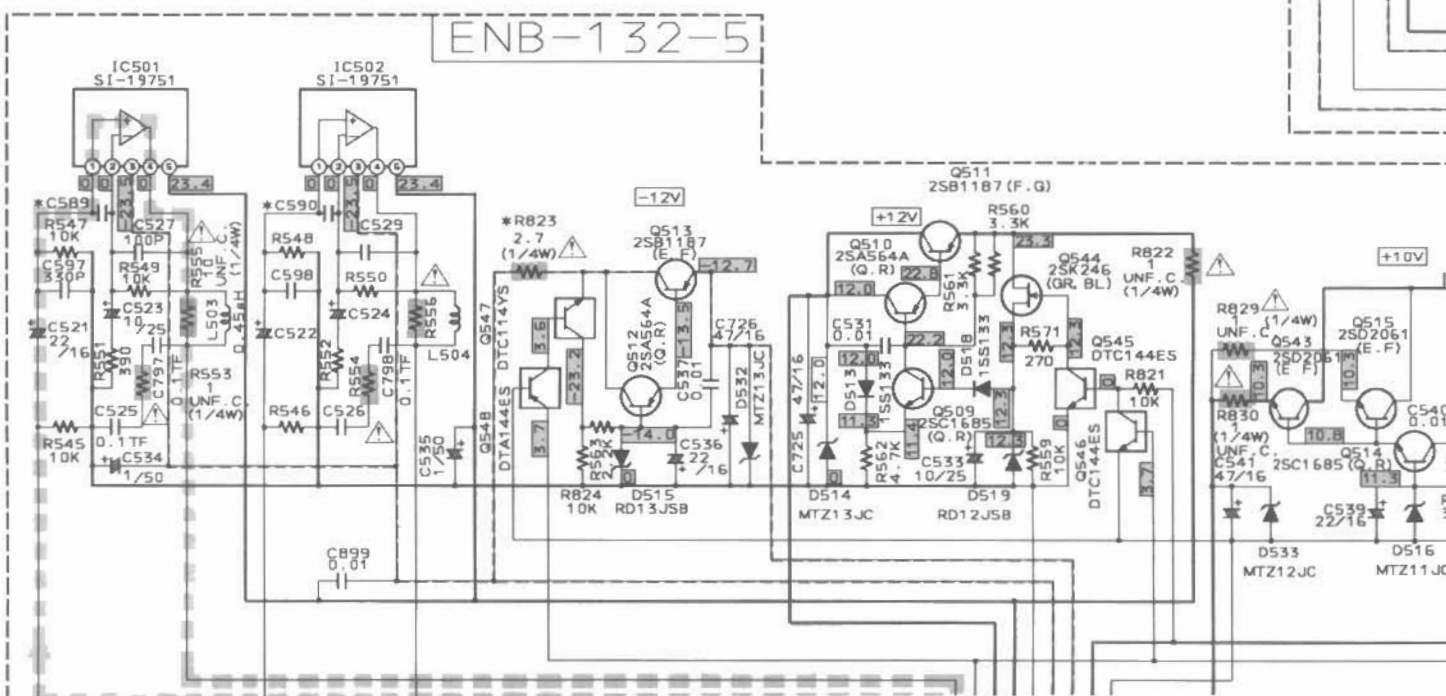
ENH-181-3



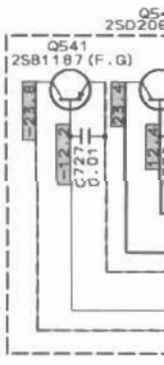
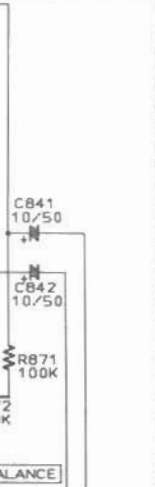
ENB-132-4

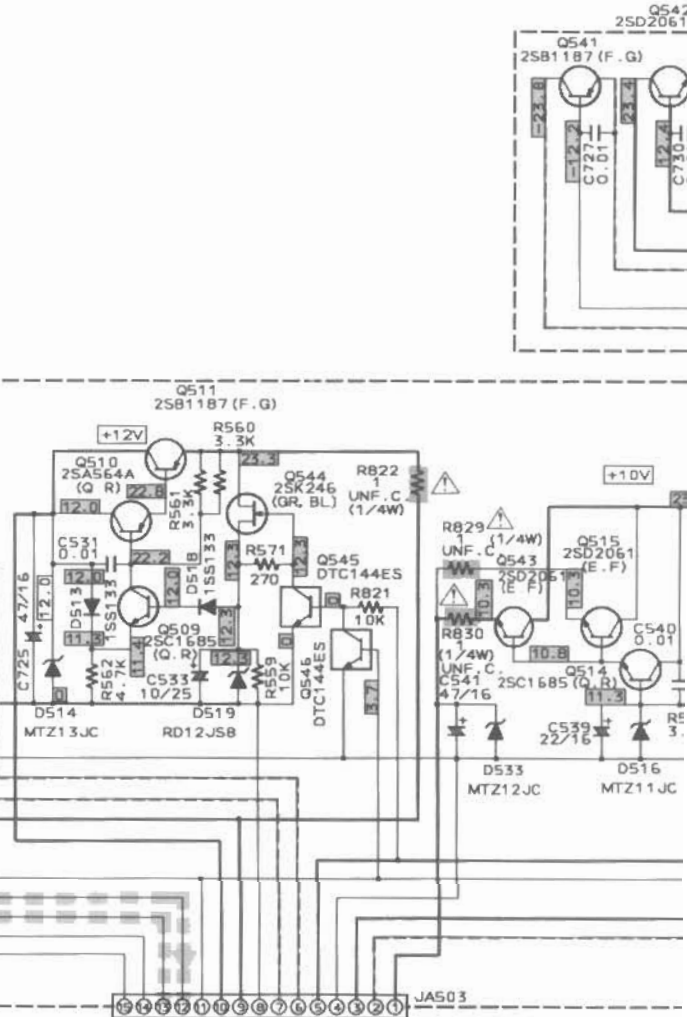
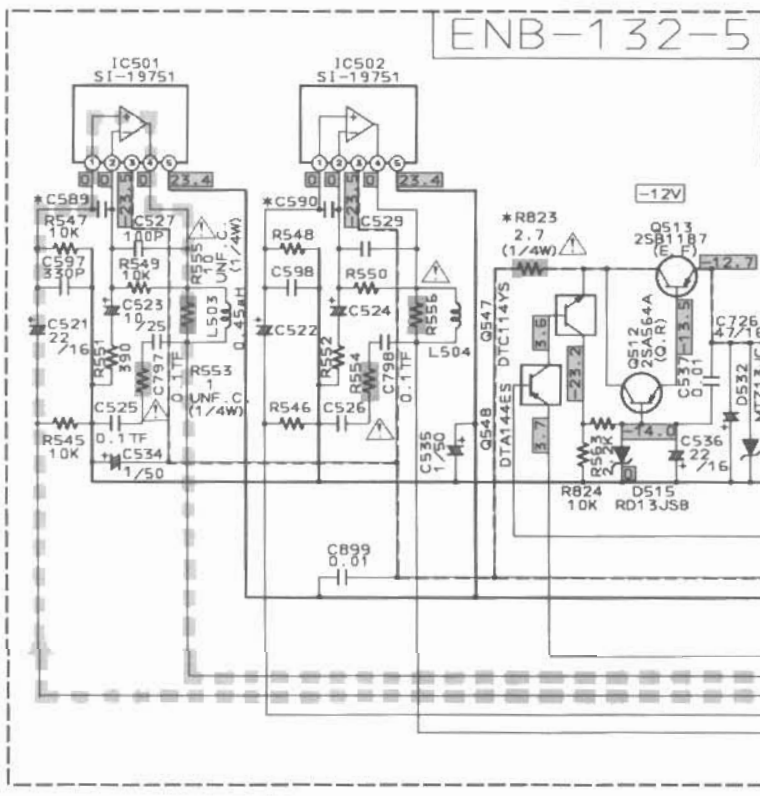
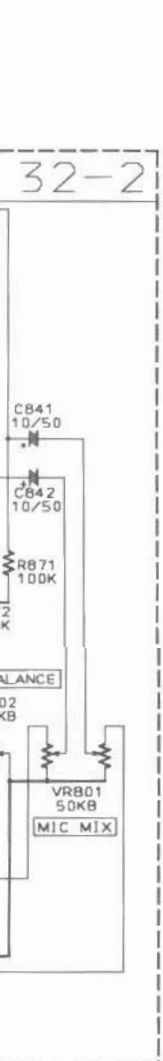
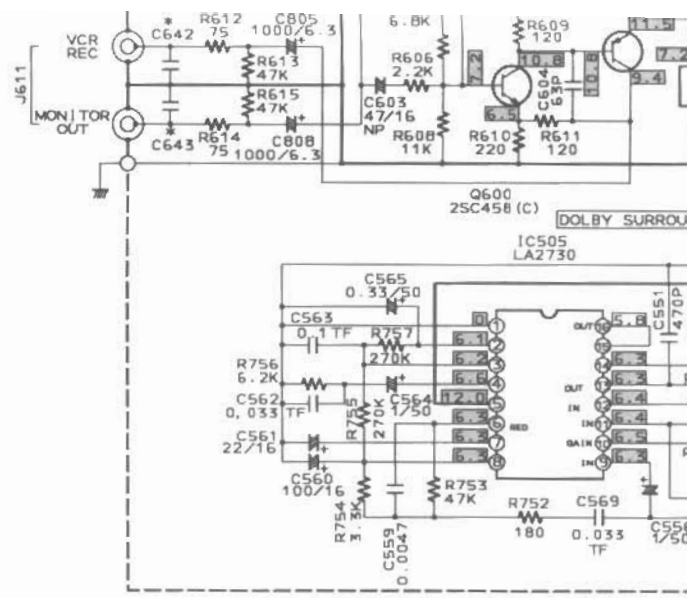
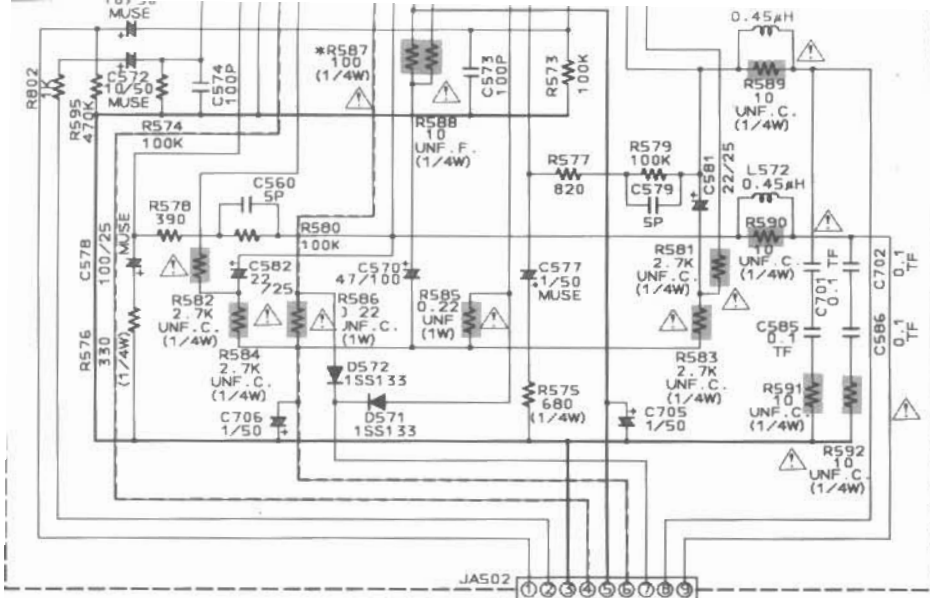


ENB-132-5

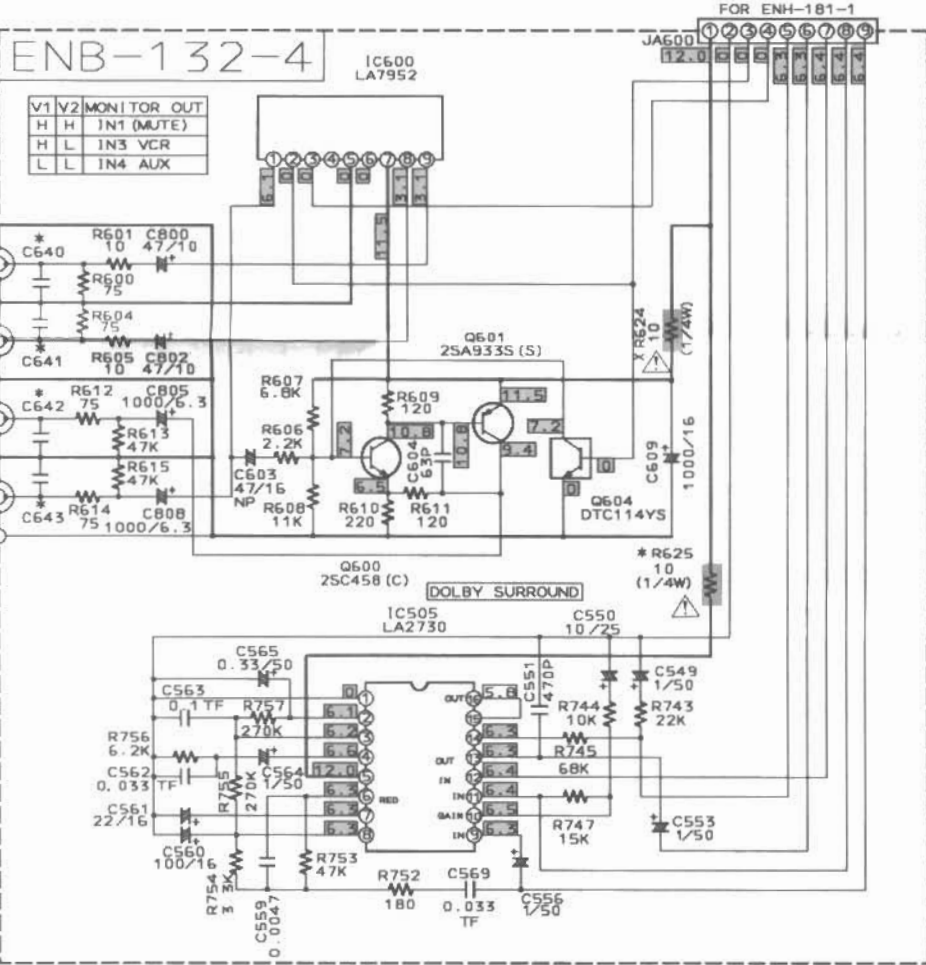


132-2



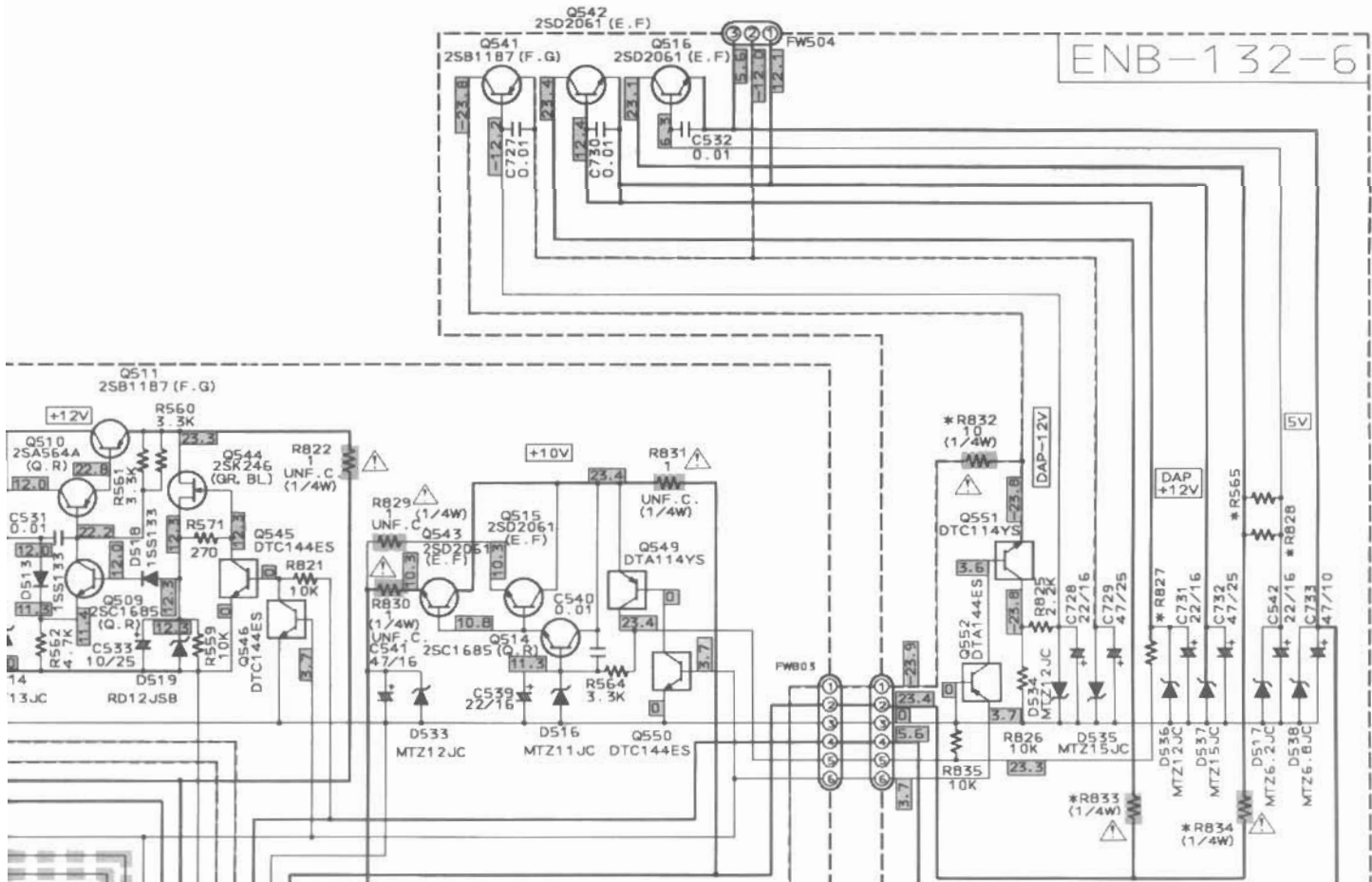


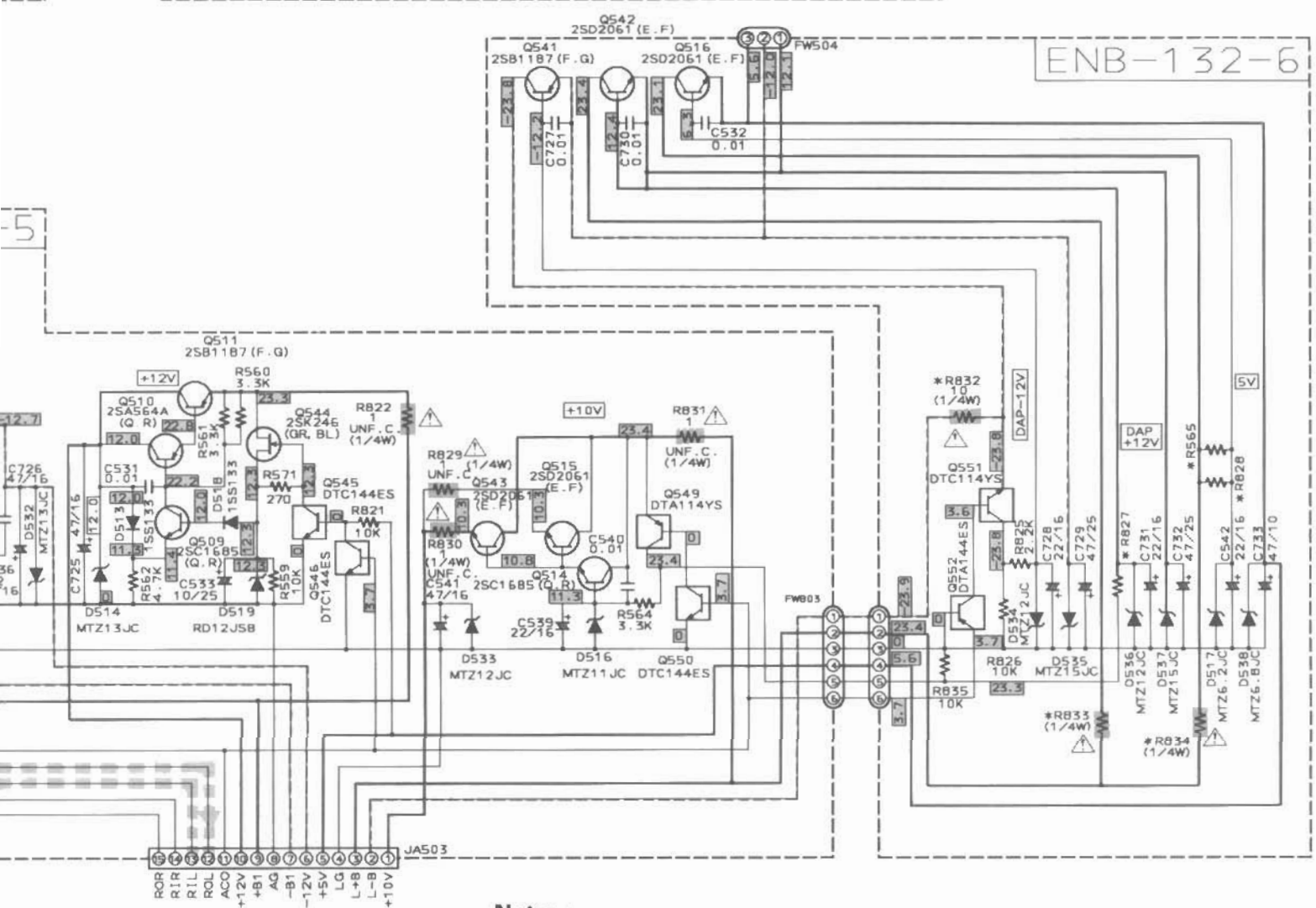
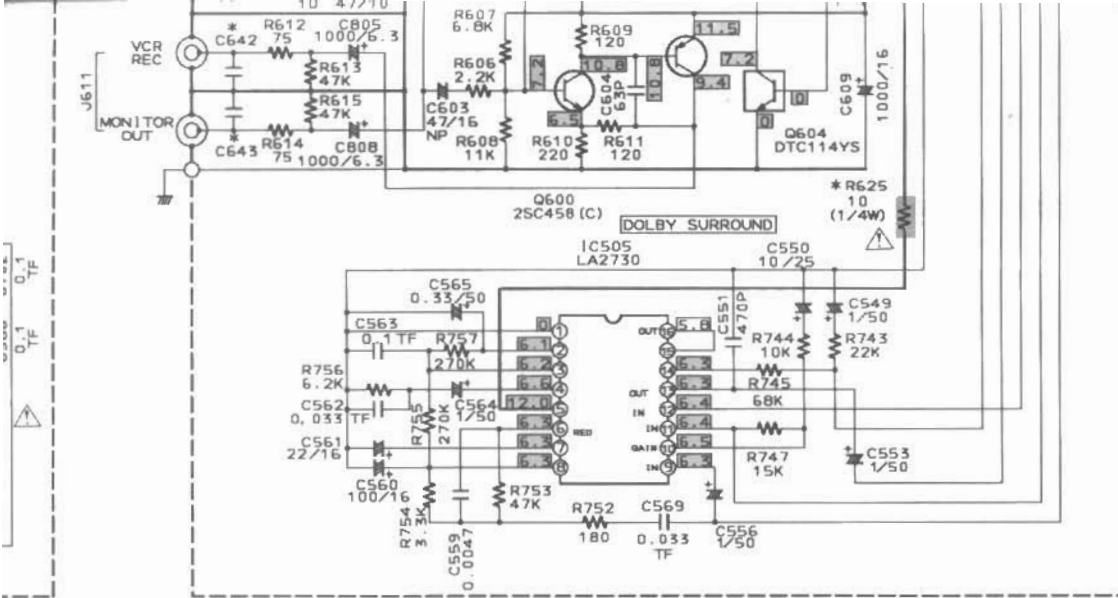
- Notes :**
1. Show
 2. indic
 3. indic
 4. indic
 5. indic
 6. When repla with Δ , I
 7. This is the The design



* MARK

	J.C	U	E. EF A BS	G GI
C825-827	NONE	USED	USED	USED
R517, 587	UNF. C.	UNF. F.	UNF. F.	UNF. F.
R565, 828	10K	5.1K	5.1K	5.1K
R624, 625	UNF. C.	UNF. F.	UNF. F.	UNF. F.
R823, 832	UNF. C.	UNF. F.	UNF. F.	UNF. F.
R827	3.3K	1.5K	1.5K	1.5K
R833, 834	3.9	4.7	4.7	4.7
	UNF. C.	UNF. F.	UNF. F.	UNF. F.

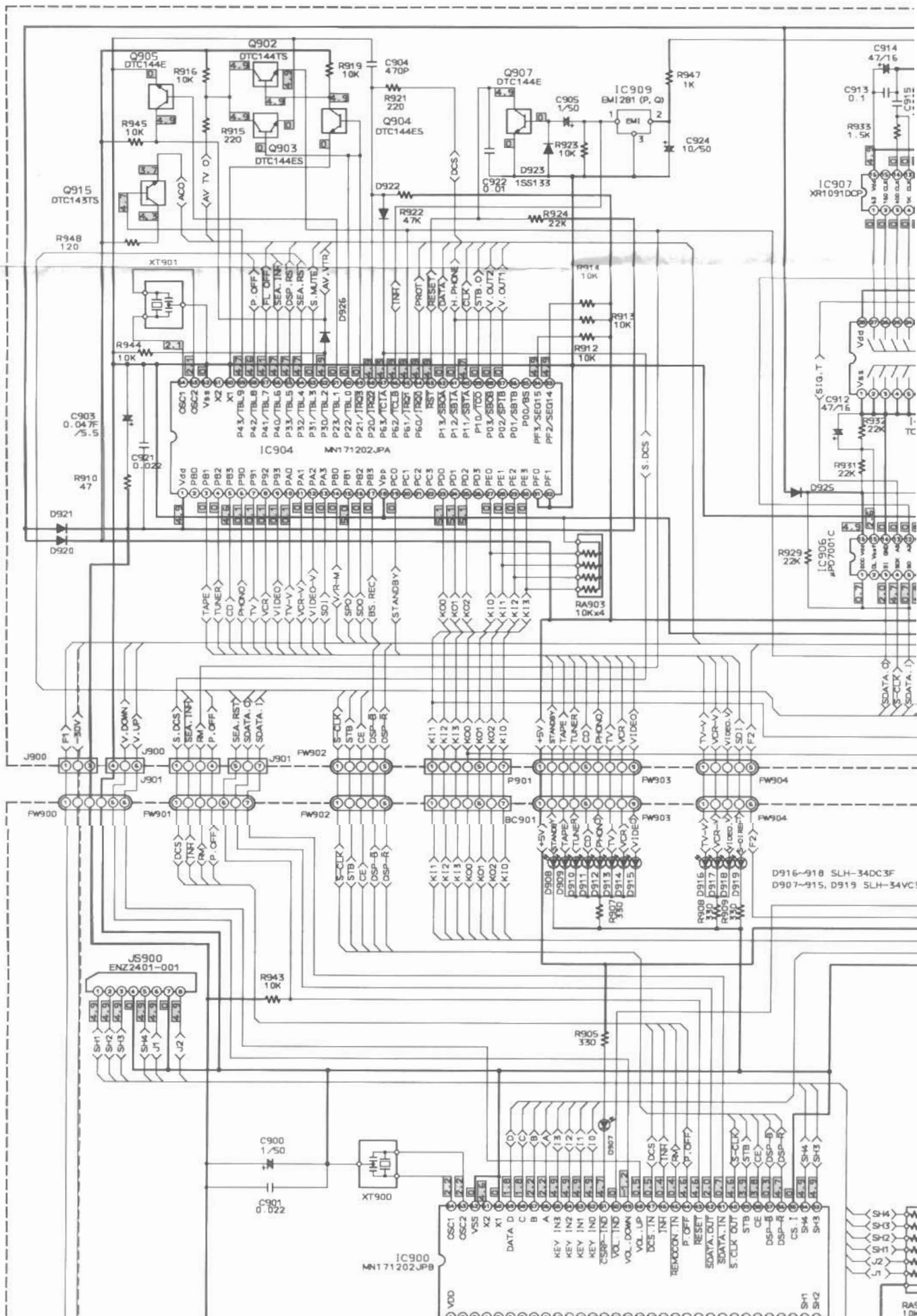


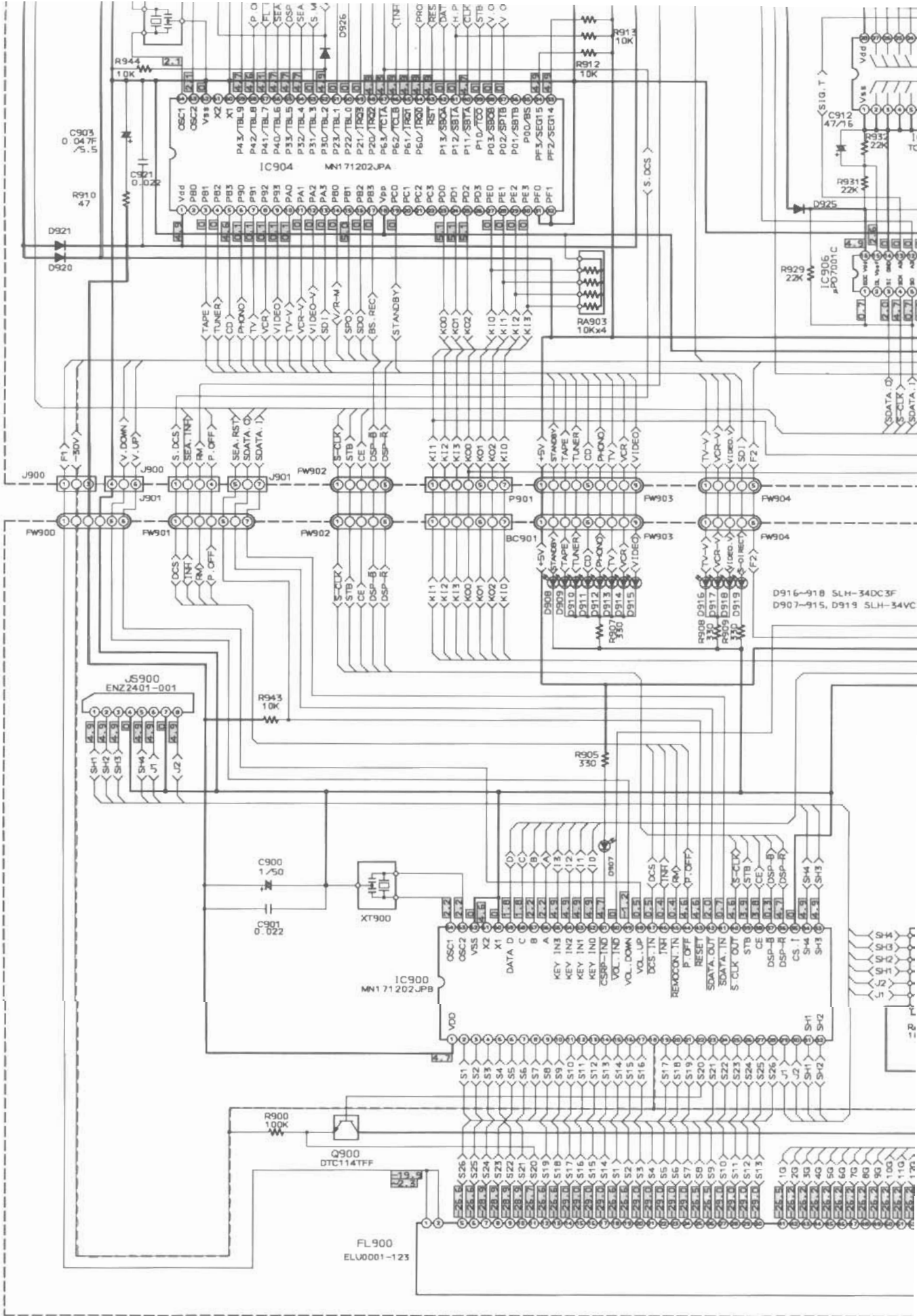


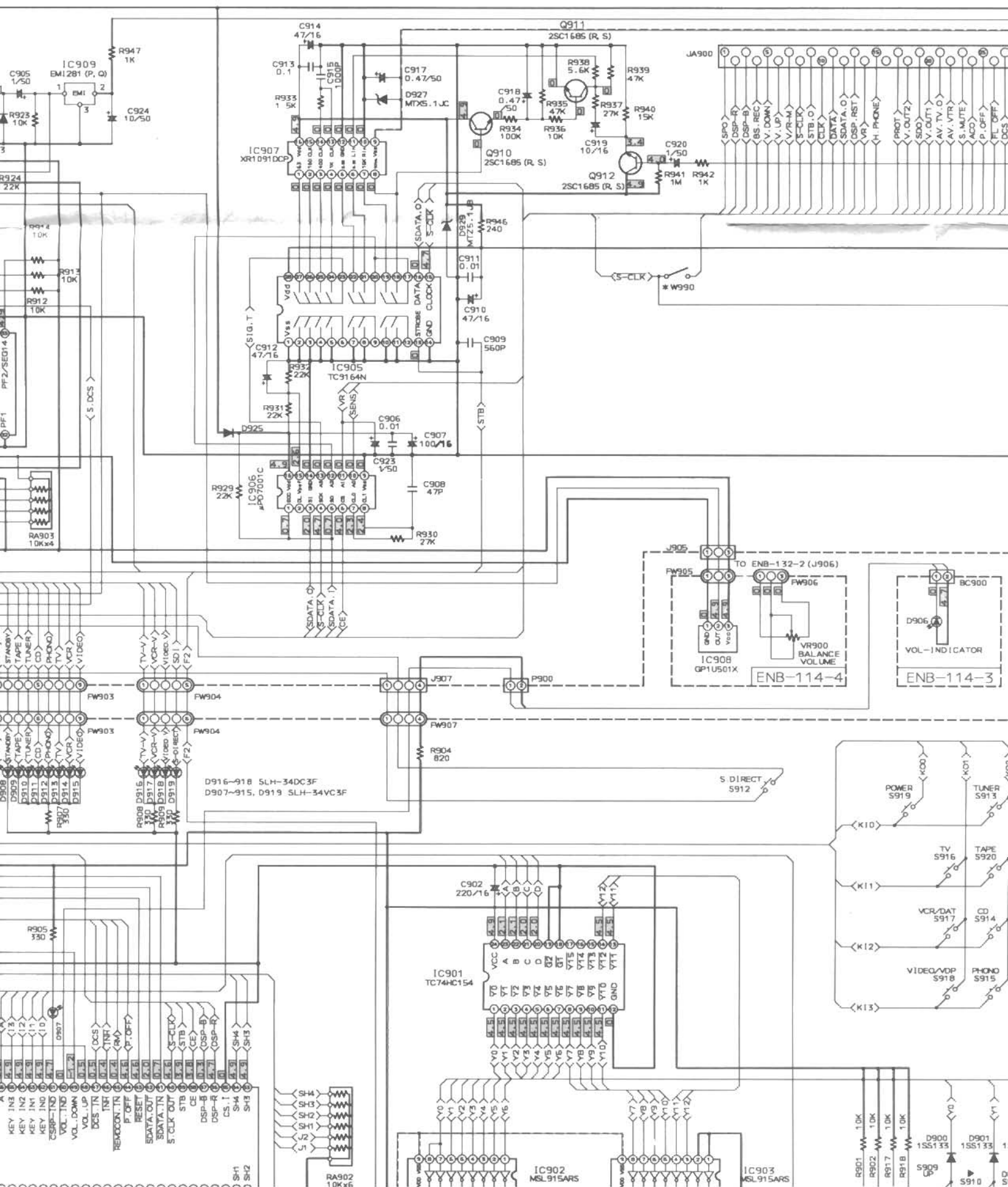
Notes :

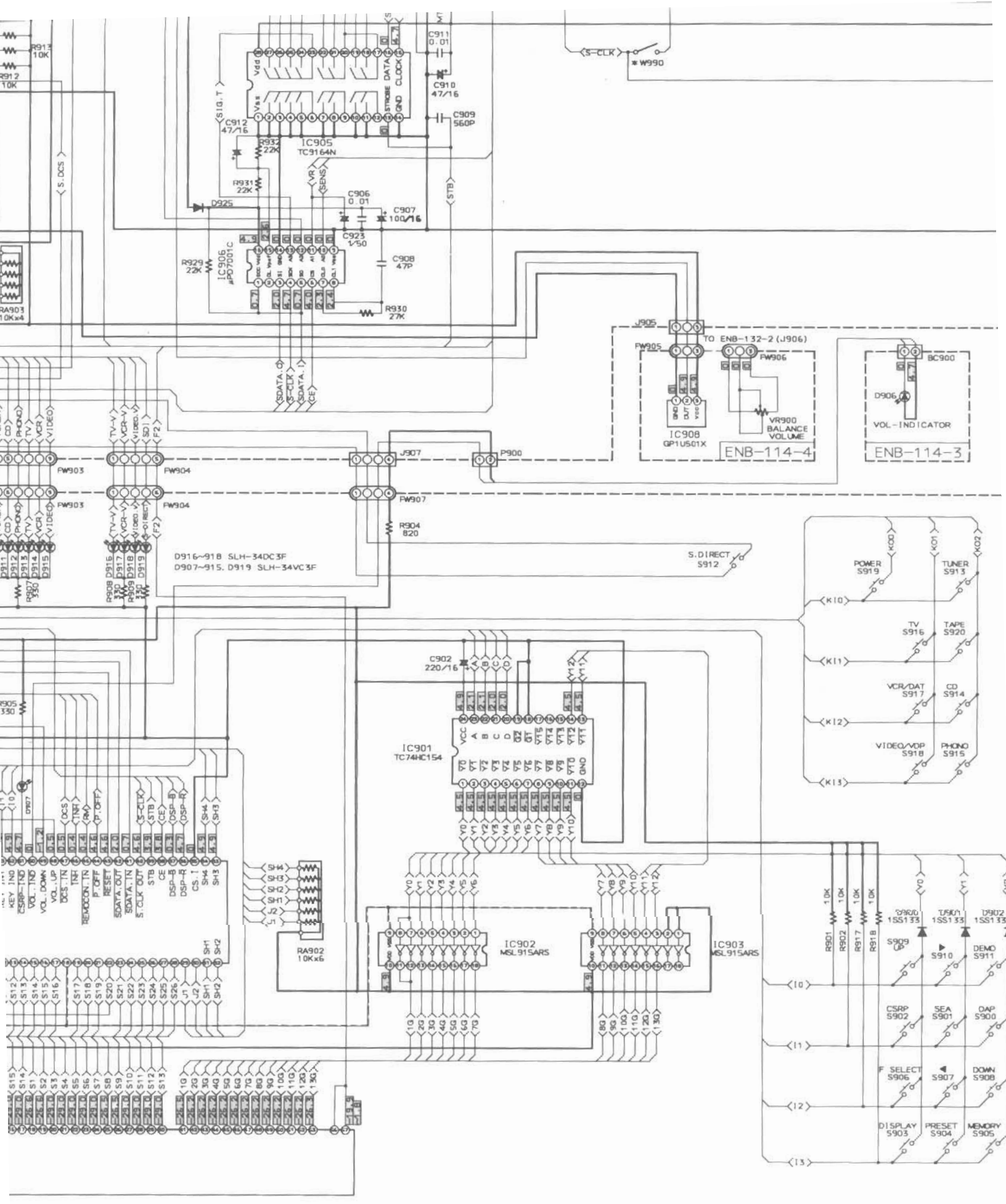
1. Shows DC voltage to the chassis with no signal input.
2. indicates + B power supply.
3. indicates - B power supply.
4. indicates Front signal path.
5. indicates Rear signal path.
6. When replacing the parts in the darkned are () and those marked with , be sure to use the designated parts to ensure safety.
7. This is the standard circuit diagram.
The design and contents are subject to change without notice.

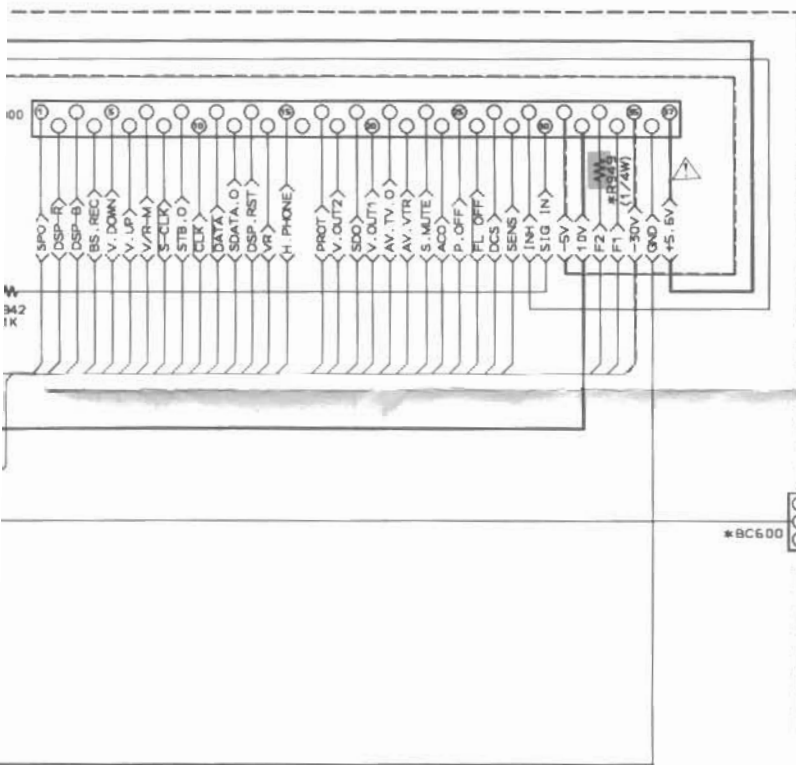
4. System Control & FL driver Section





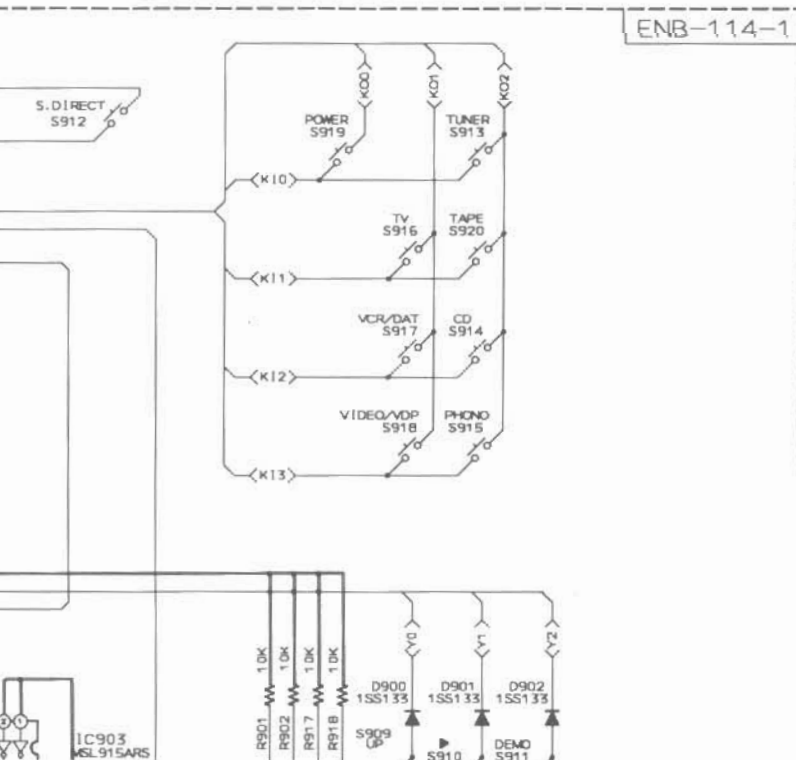
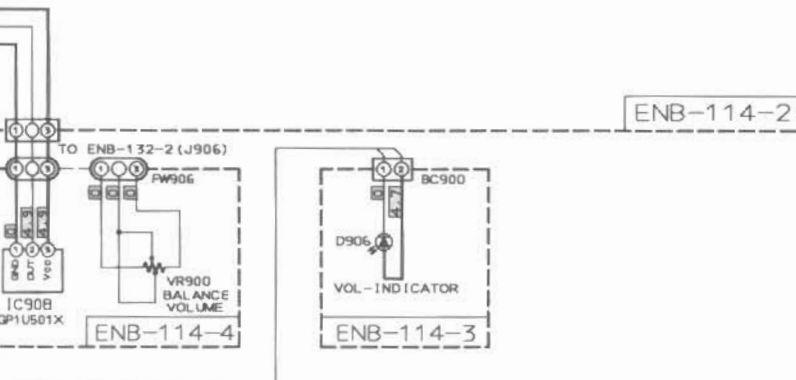






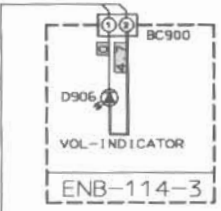
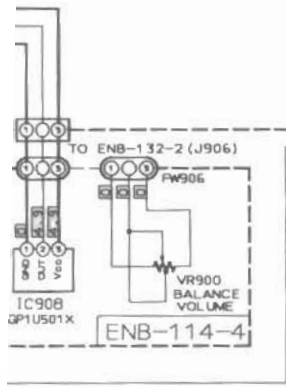
* MARK

	J. C	E. EF A. BS	G. GI	U
R949	2.7 UNF. C.	4.7 UNF. F.	4.7 UNF. F.	4.7 UNF. F.
BC600	NONE	USED	USED	USED
W990	USED	NONE	NONE	NONE



*BC600 TO ENP-037 J600

ENB-114-2



ENB-114-1

